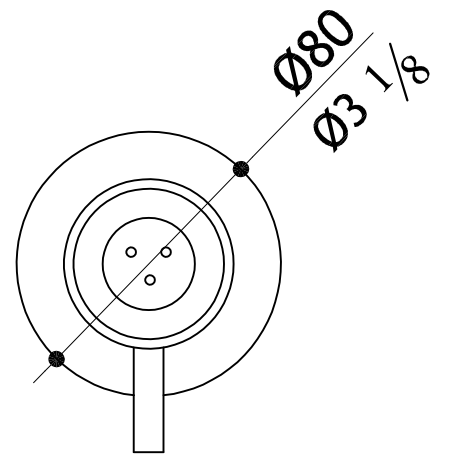
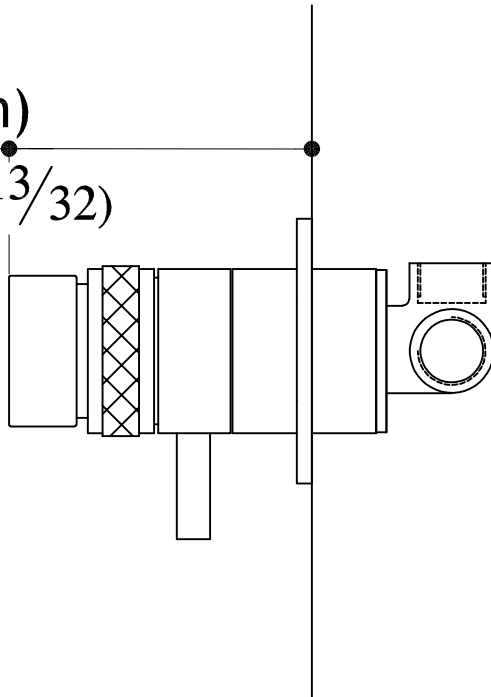


92 (+10 -10mm)

3 5/8 (+13/32 -13/32)



ER428