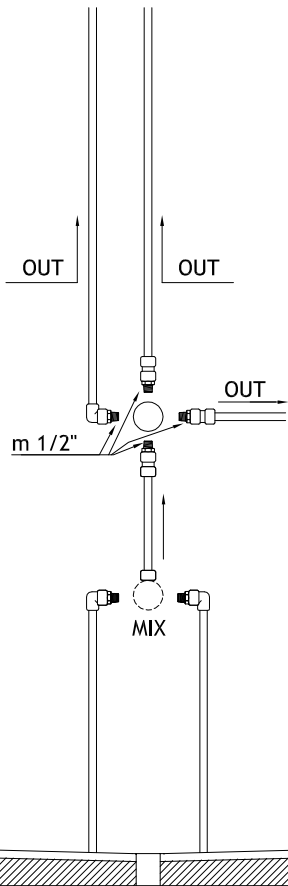


# MGS

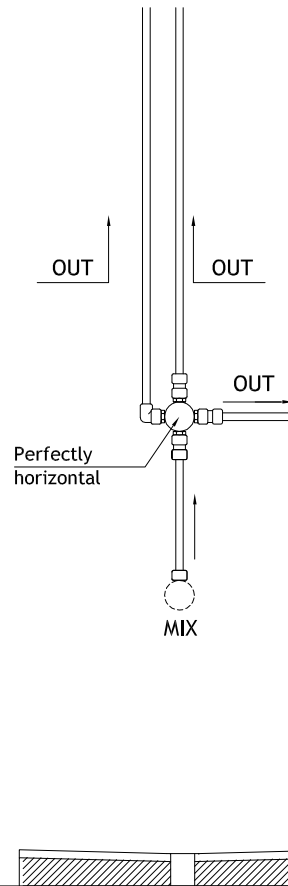
## BUILT IN BODY ASSEMBLY

# MGS

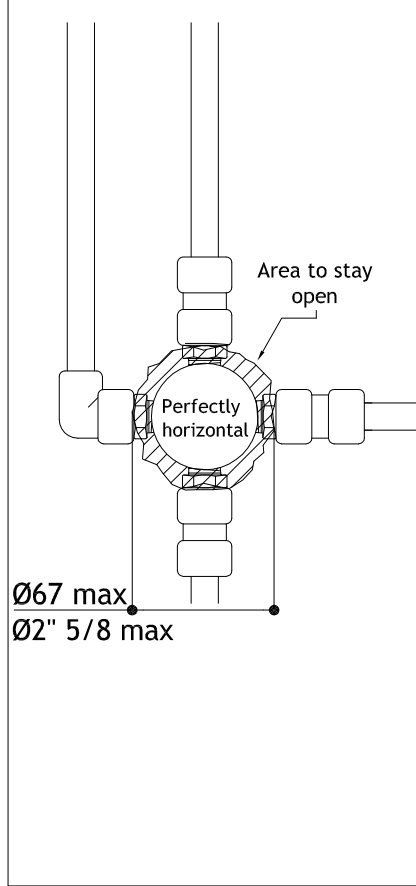
### PLUMBING CONNECTION



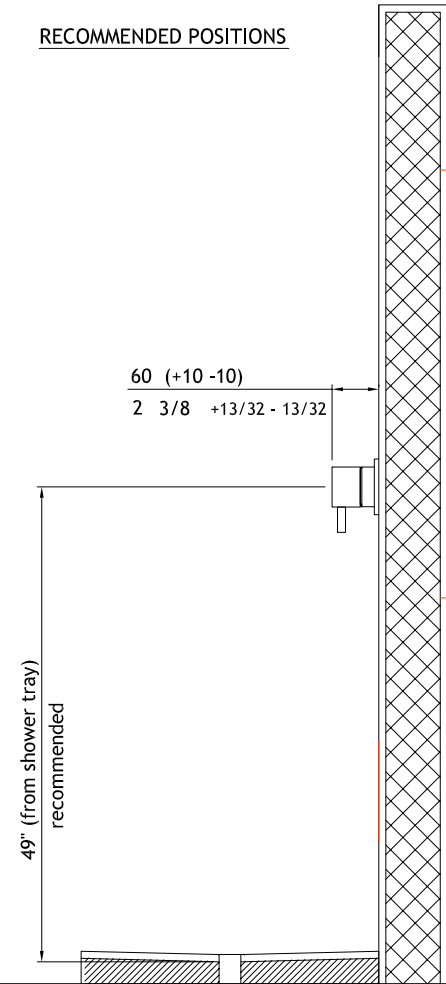
### WALL DETAILS (After Plumbing)



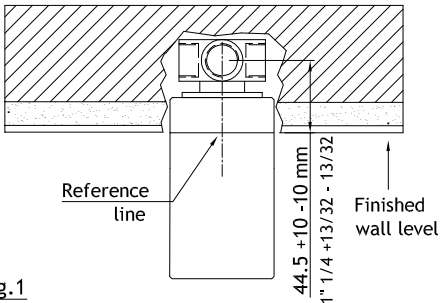
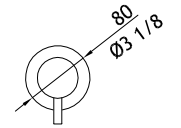
### DETAILS FOR WALL COVERING



### RECOMMENDED POSITIONS



### FRONT VIEW



### WARNING

- 1- The diverter body must be installed so that the reference line on the protection cover will correspond to the future finished wall level.
- 2- Check that diverter body and protection cover are perfectly horizontal.
- 3- Never close output nozzle.

Fig.1

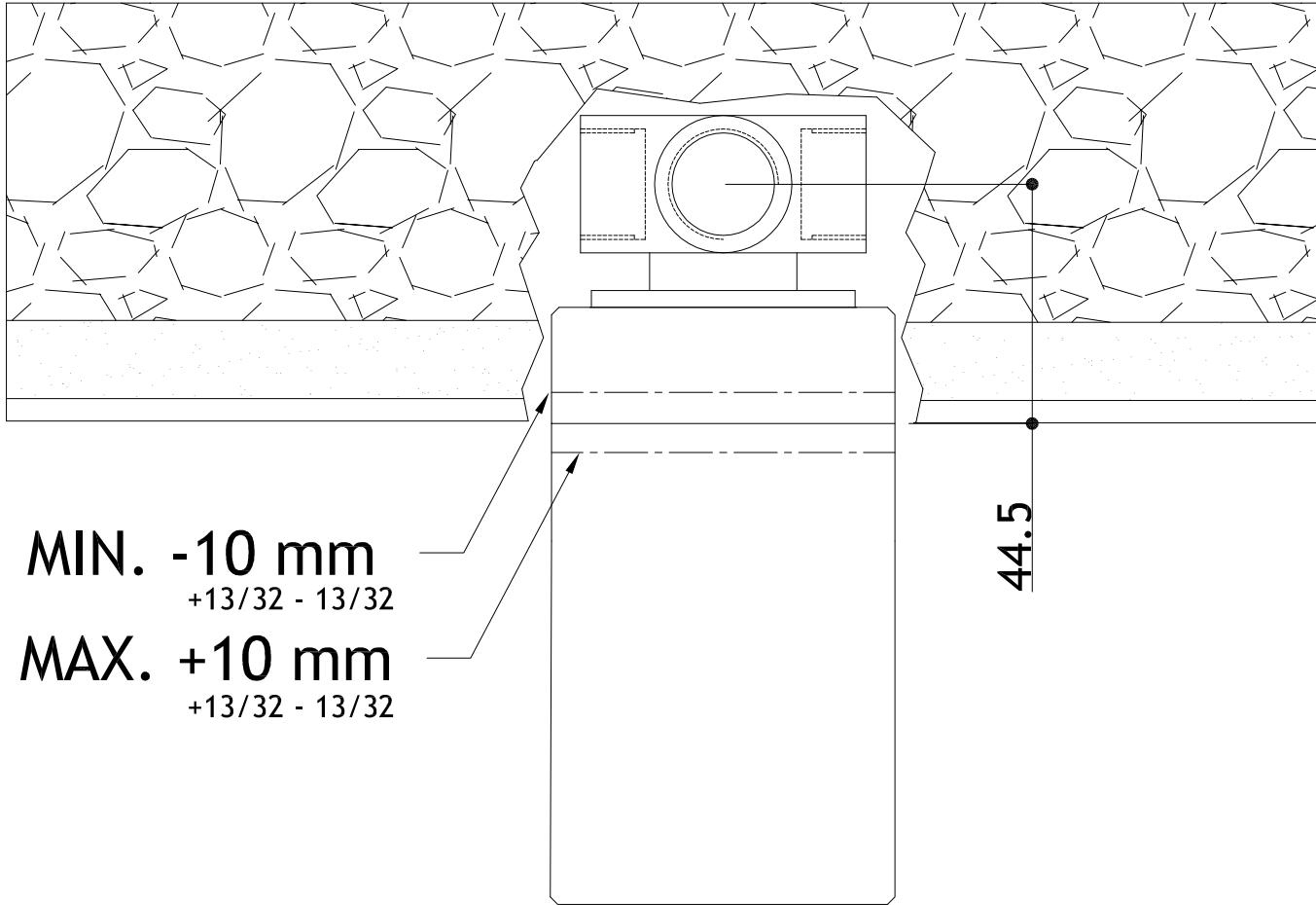
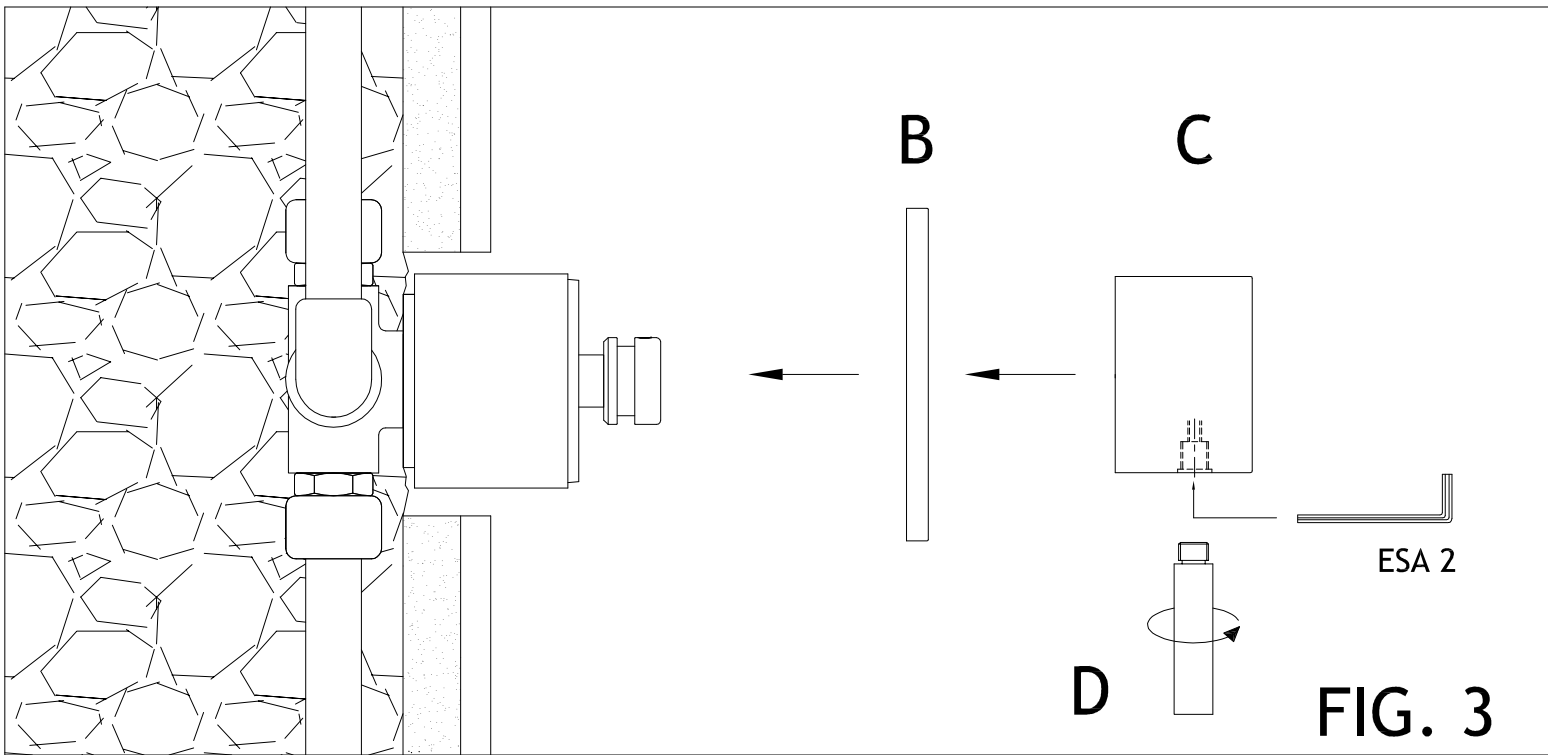
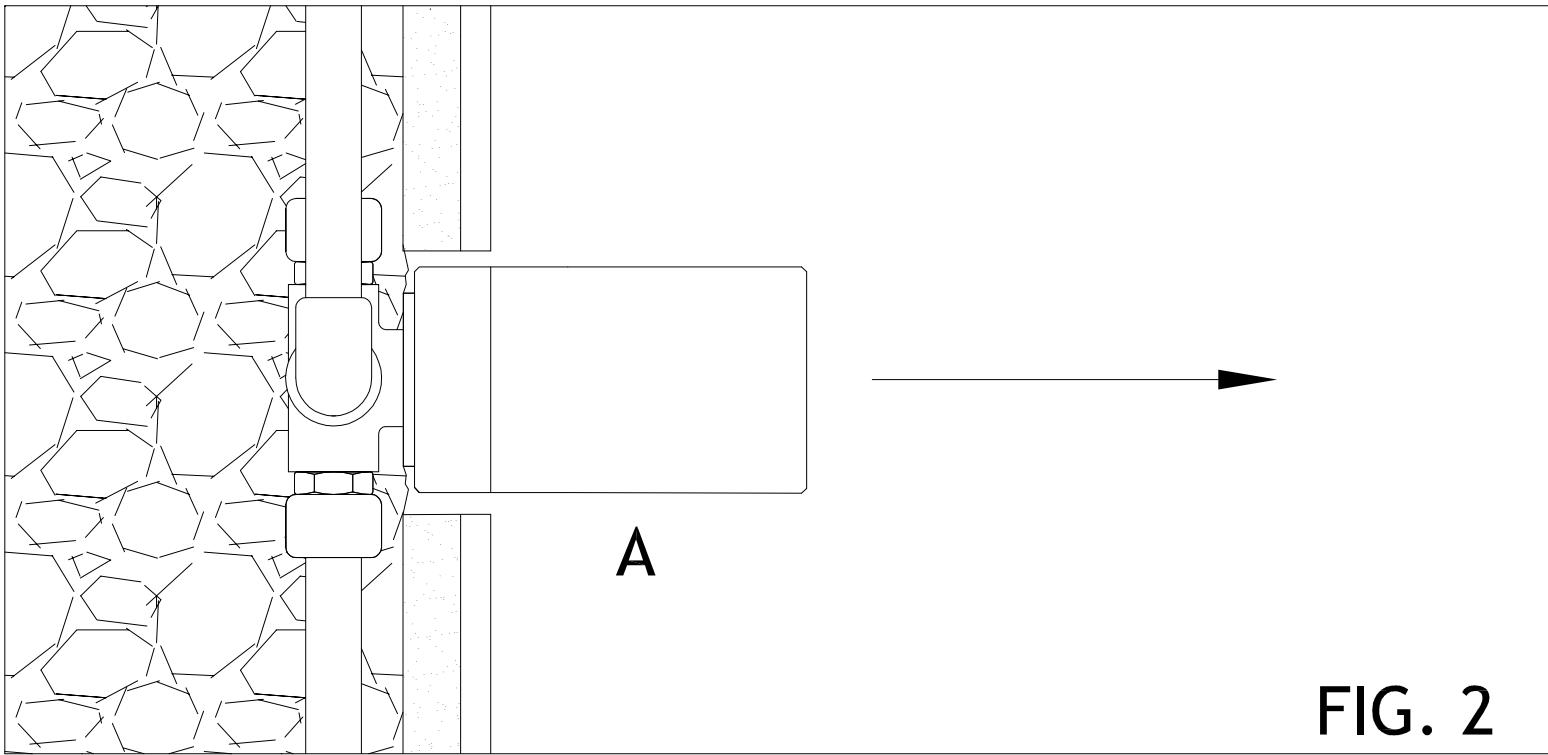


FIG. 1



# Knob positions (7)

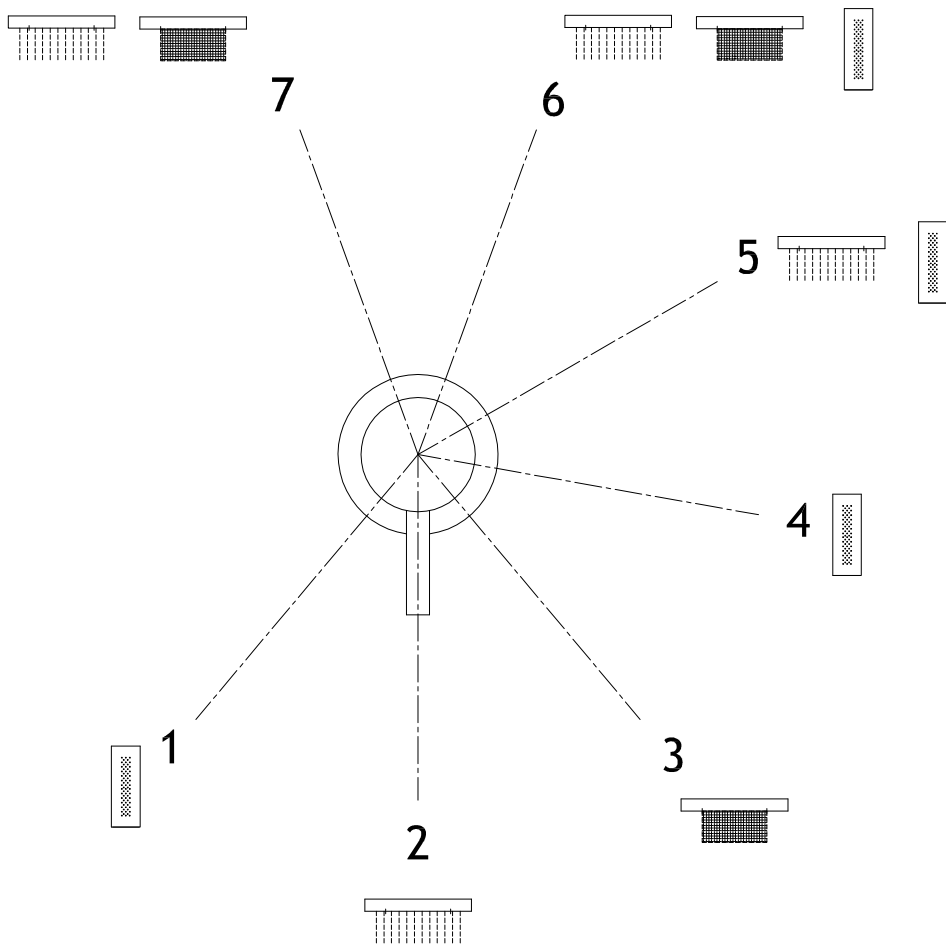


FIG. 4