

MGS

BUILT IN BODY ASSEMBLY

MGS

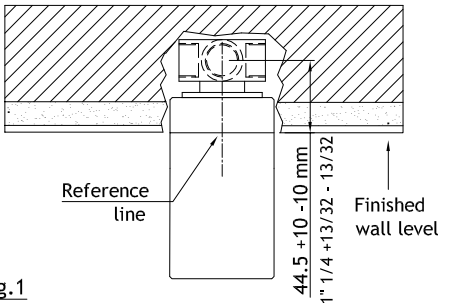
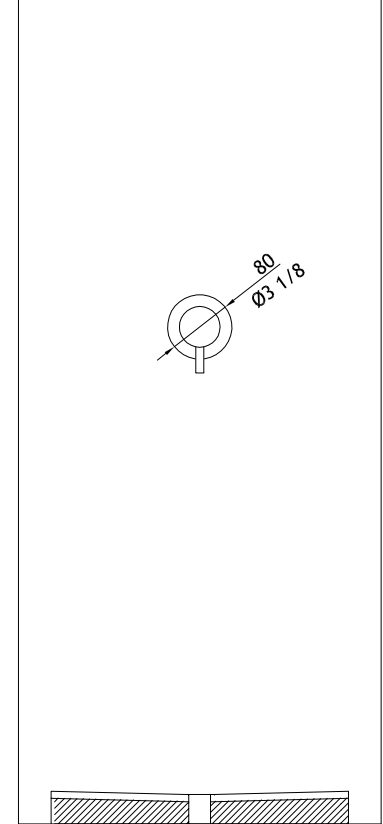
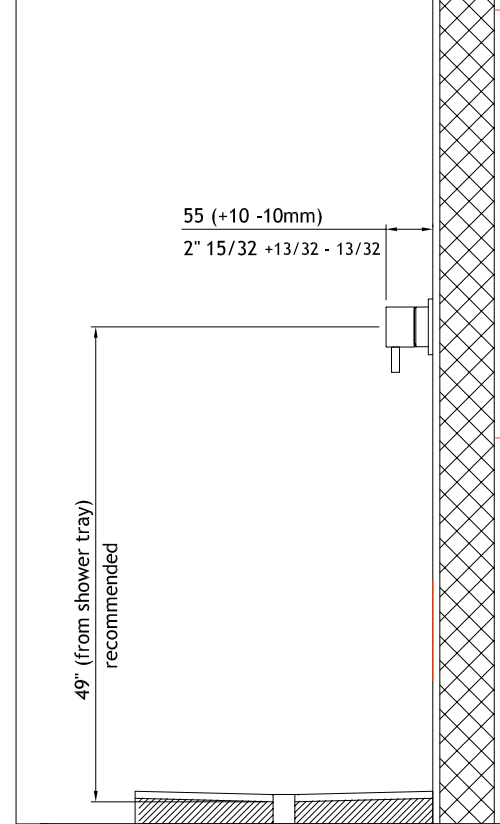
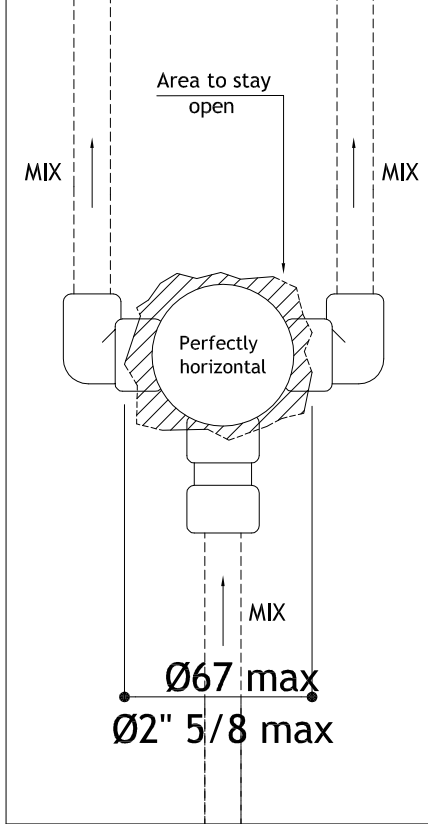
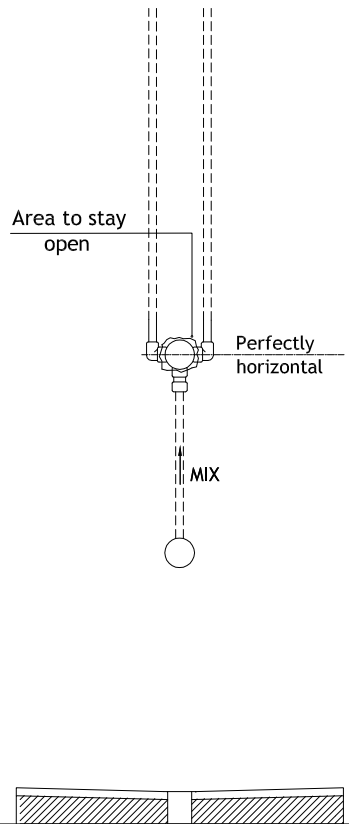
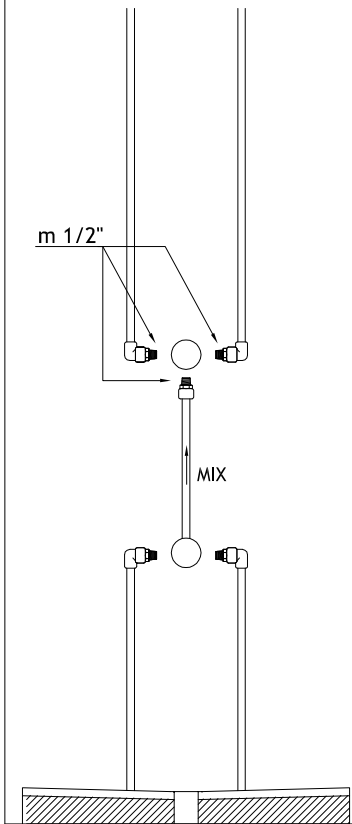
PLUMBING CONNECTION

WALL DETAILS (After Plumbing)

DETAILS FOR WALL COVERING

RECOMMENDED POSITIONS

FRONT VIEW



WARNING

- 1- The diverter body must be installed so that the reference line on the protection cover will correspond to the future finished wall level.
- 2- Check that diverter body and protection cover are perfectly horizontal.
- 3- Never close output nozzle.

Fig.1

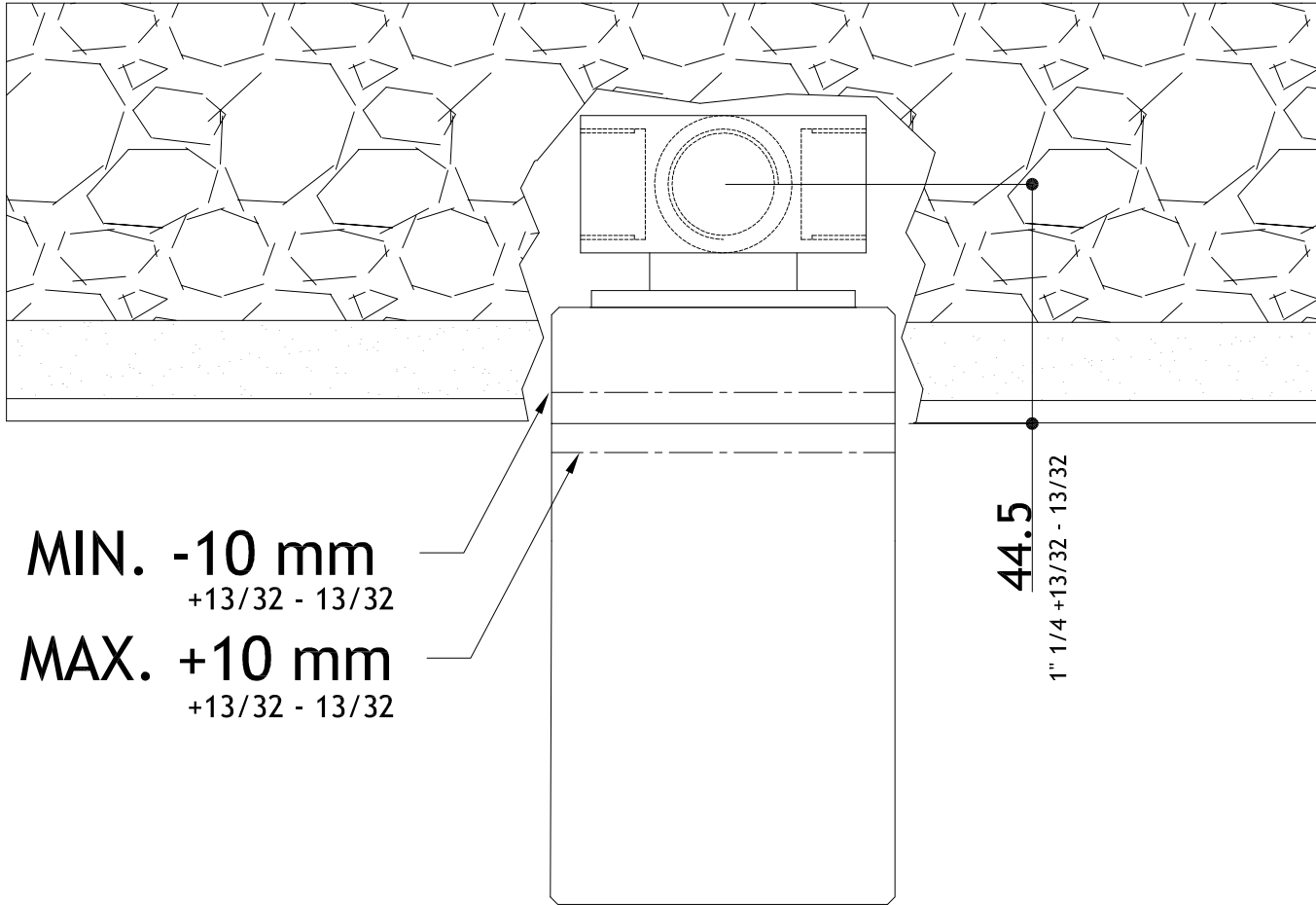
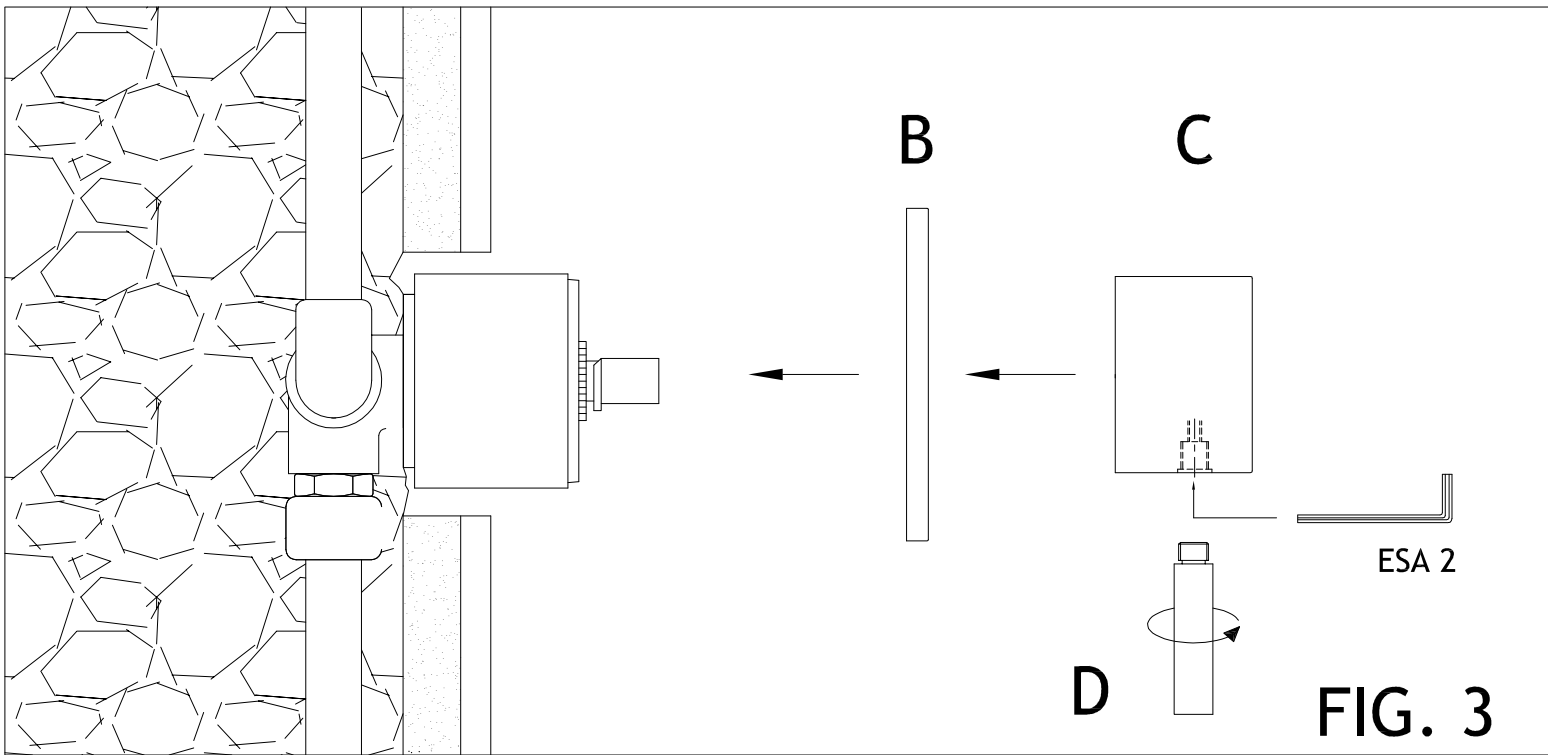
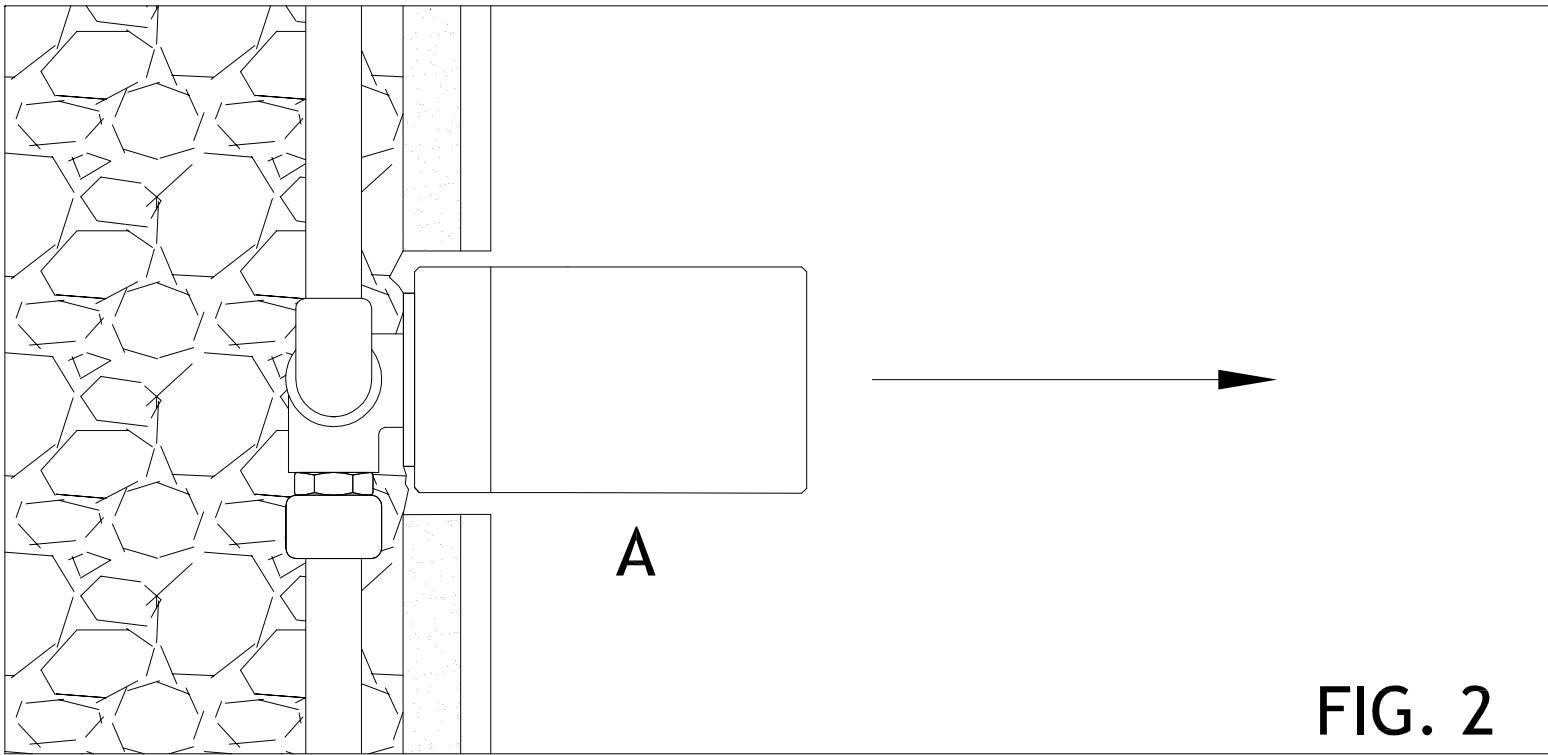


FIG. 1



ASSEMBLY INSTRUCTIONS TWO WAY DIVERTER 95.263.60.0

FIRST STEP

Remove various parts from the carton with extreme care.

Check on the wall that the built-in diverter body is clean and that installation has been made correctly according to our separate pre-assembly instructions. In particular, check that the line indicated on the protection cover is positioned +/-10 mm with respect to the wall level (FIG 1) and that trim ring (diameter 70mm – 2 ¾”) covers wall cutting area.

ASSEMBLY OF AESTHETIC HANDLE SECTION

(FIG 2)

Remove protection cover (A)

(FIG 3)

- Push trim ring (B) into position against the wall.
- Fully push handle (C) onto diverter's shaft and tighten grub screw (ESA2) inside the handle.
- Screw lever (D) onto handle (C).