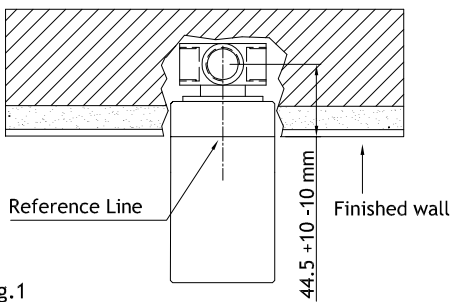
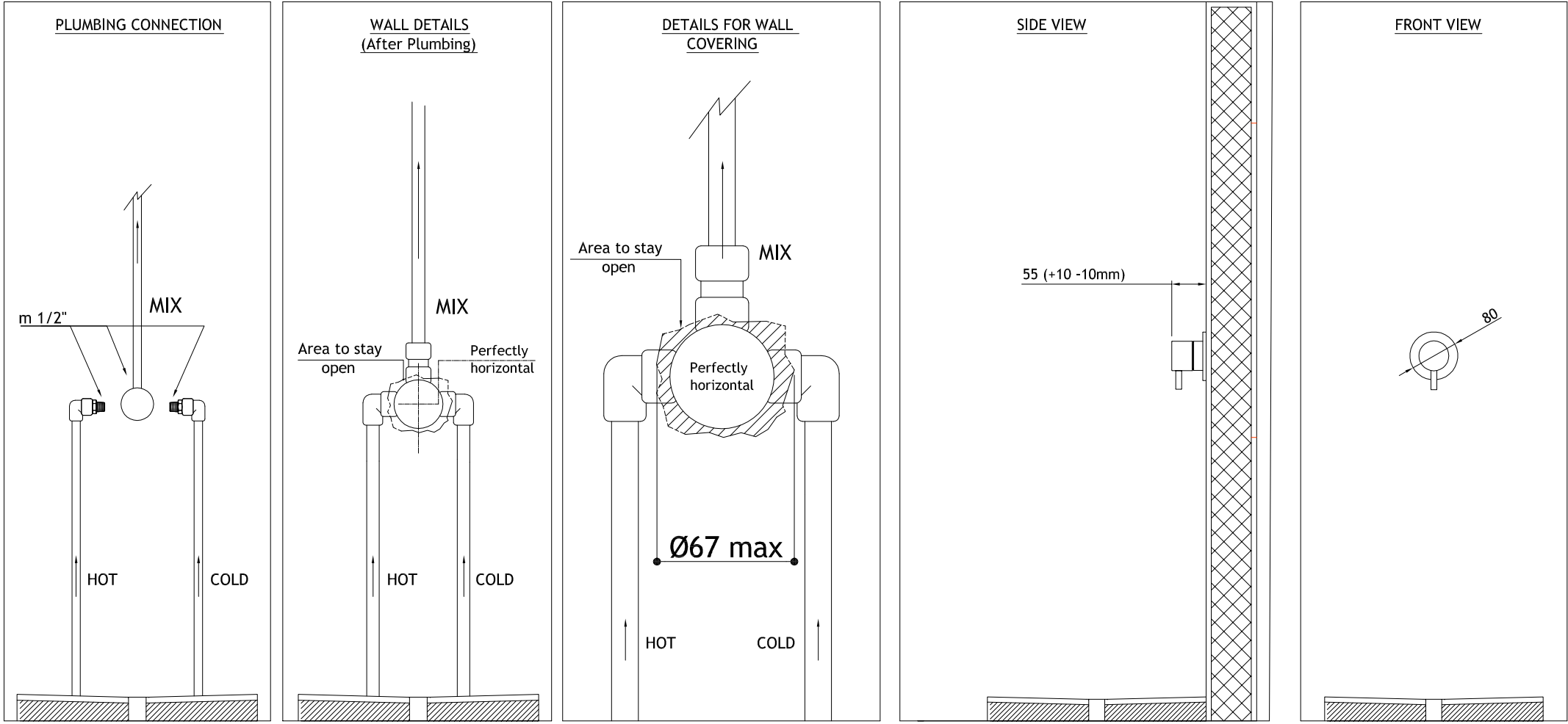


MGS

PRE-ASSEMBLY BUILT-IN SHOWER MIXER

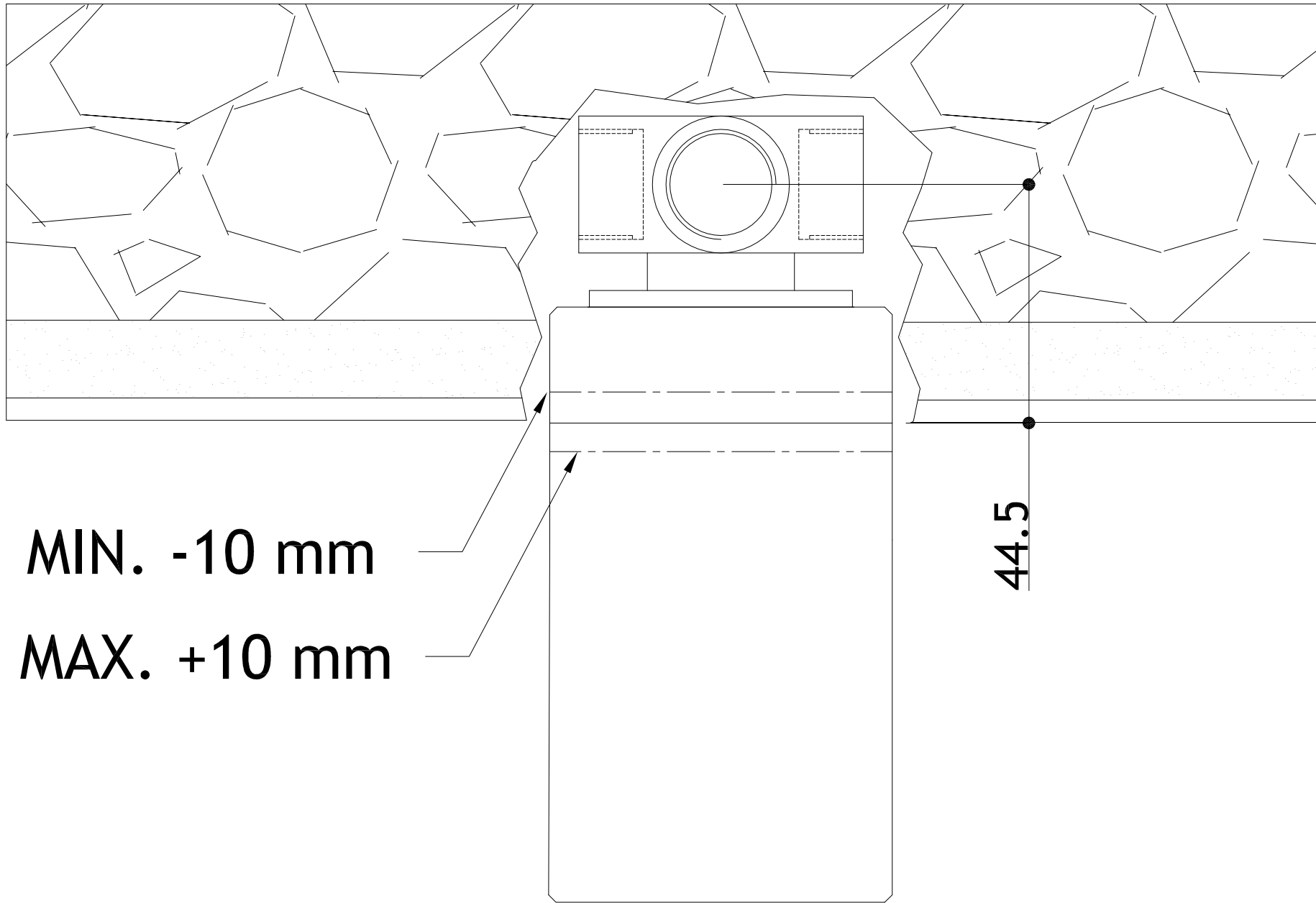
MGS



WARNING

- 1- The built-in housing must be installed so that the reference line on the protection lid will correspond to the future finished wall level.
- 2- Check that the built-in housing and protection lid are perfectly horizontal.

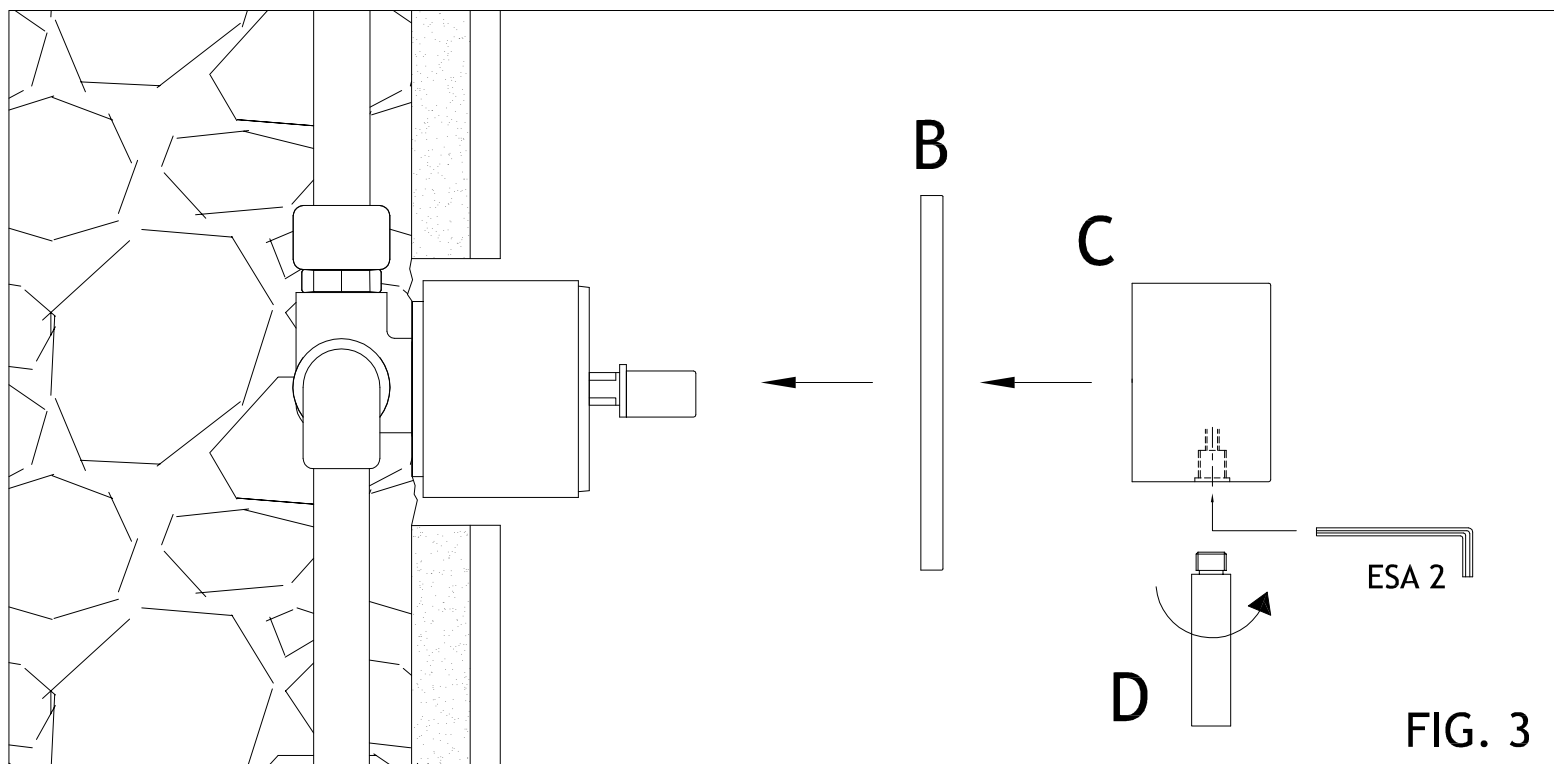
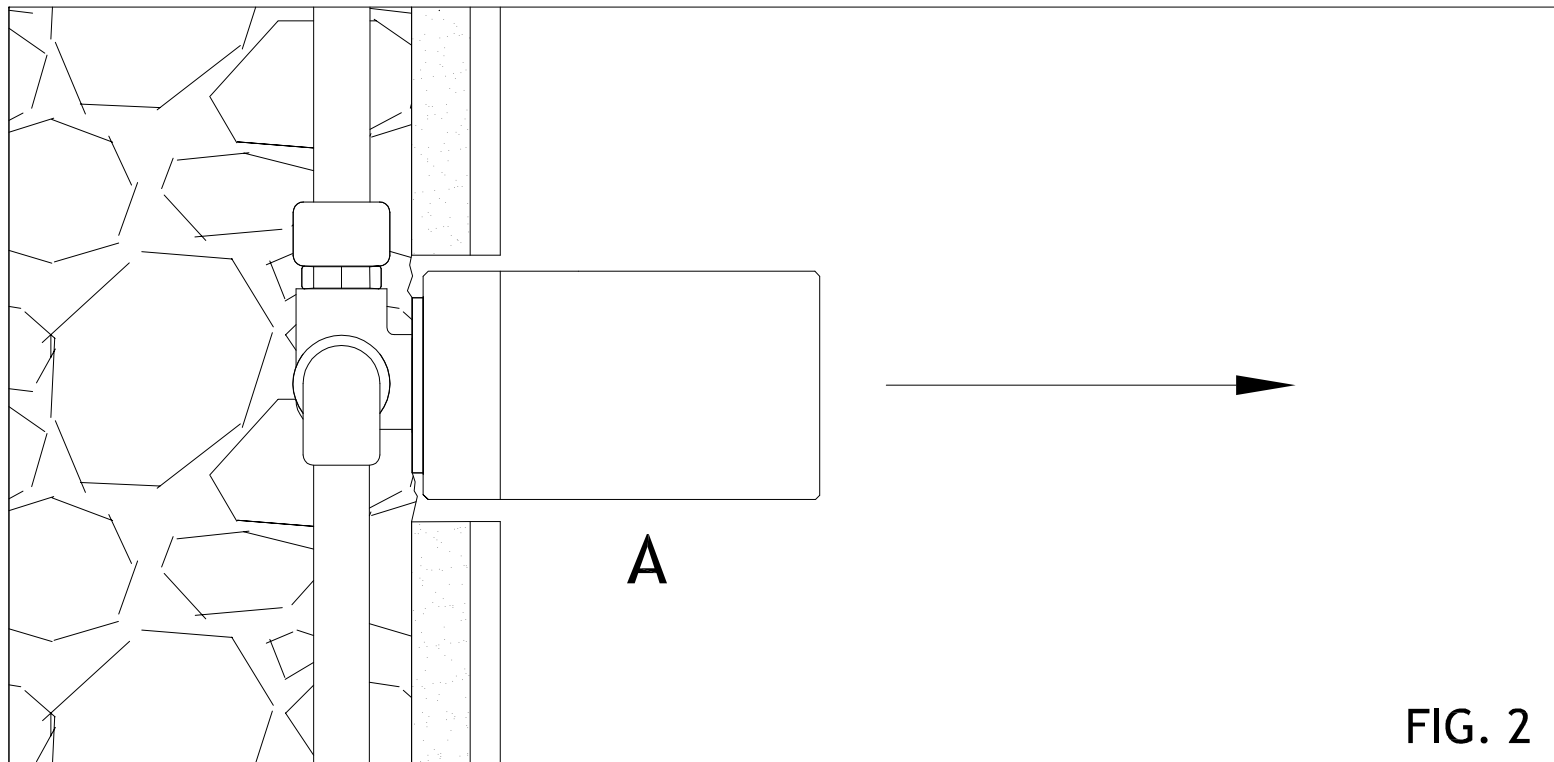
Fig.1



MIN. -10 mm
MAX. +10 mm

44.5

FIG. 1



ASSEMBLY INSTRUCTIONS BUILT-IN SHOWER MIXER 95.260.60.0

FIRST STEP

Remove various parts from the carton with extreme care.

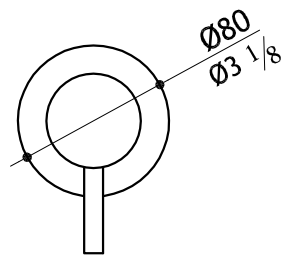
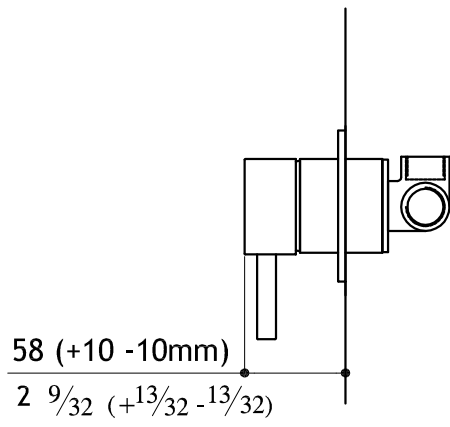
Check on the wall that the built-in valve is clean and that installation has been made correctly, according to our separate pre-assembly instructions. In particular, check that the coloured line indicated on the plastic protection lid is positioned +/-10 mm with respect to the wall level (FIG 1) and that the shower handle finishing ring covers the wall cut area.

Remove protection lid (A) from the valve body (FIG 2).

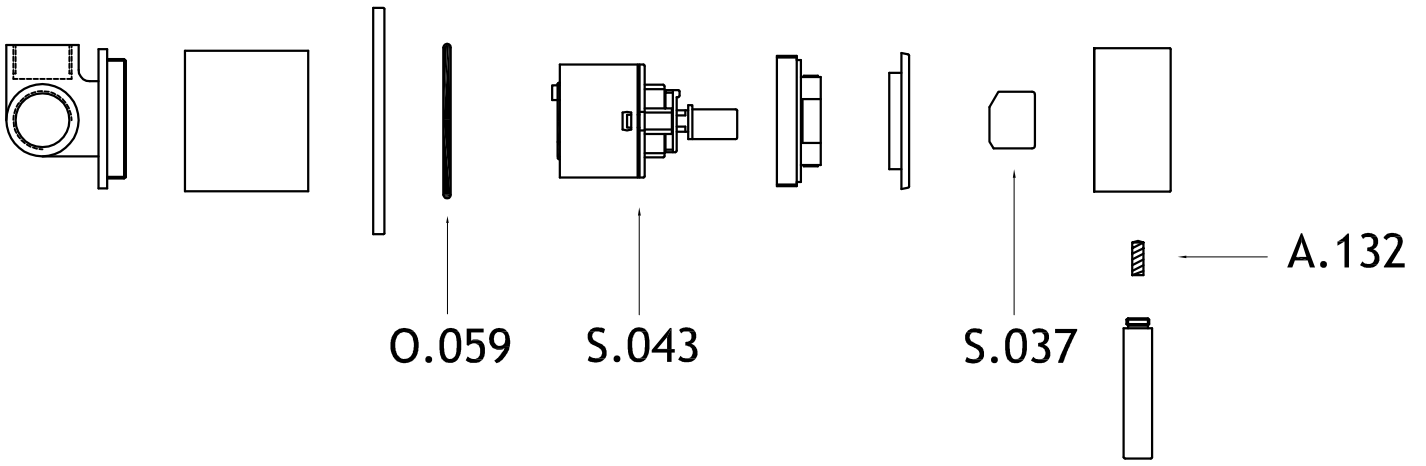
ASSEMBLY OF THE CONTROL HANDLE

(FIG 3)

- Push finishing ring (B) through valve body against the wall.
- Push handle (C) onto the valves shaft and tighten grub screw with attached allen key (ESA2). - -
- Screw lever (D) onto handle (C).



MGS



MGS