

MGS

(Thermostatic rough - in valve)

MGS

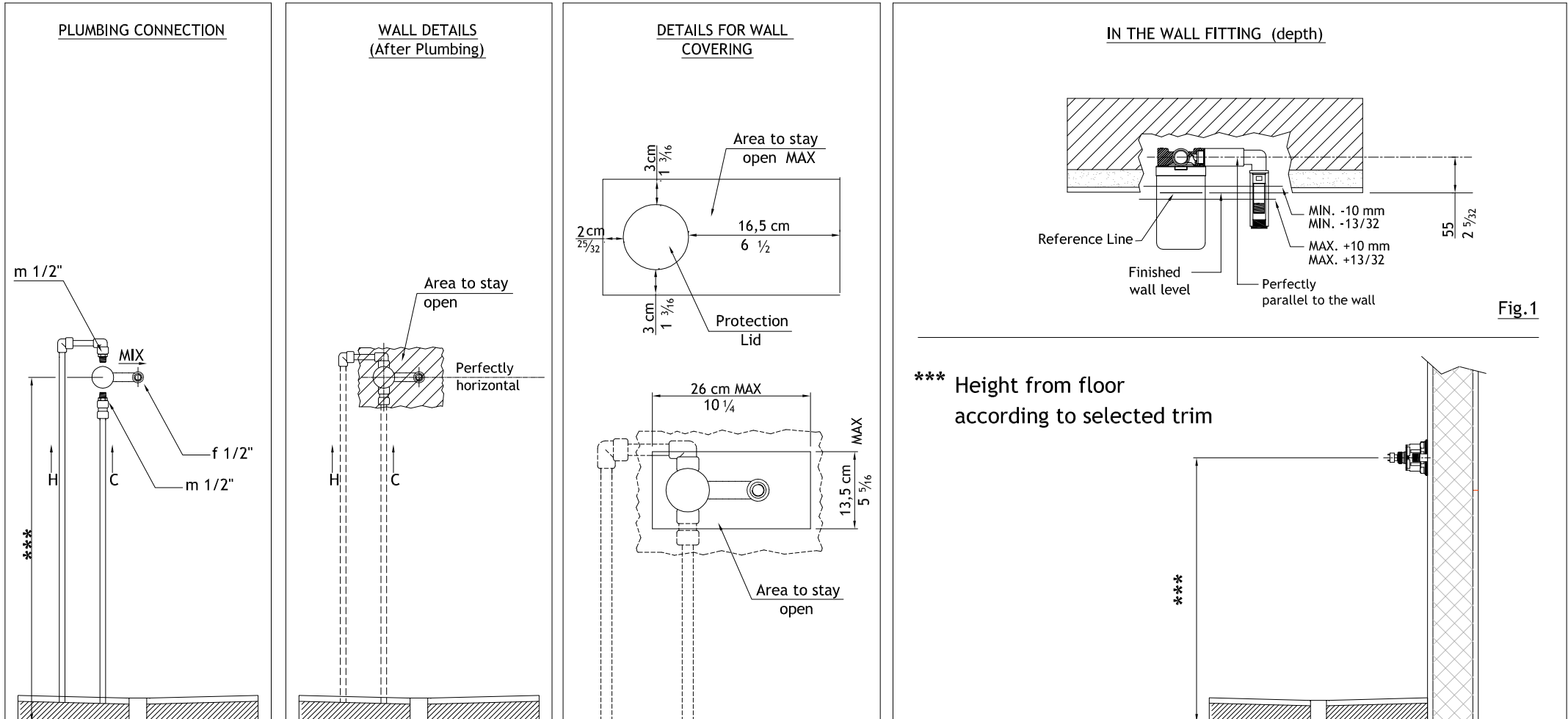


Fig.1

*** Height from floor according to selected trim

WARNING

- 1- The thermostat mixer body must be installed so that the reference line on the protection lid will correspond to the future finished wall level; (check that protection lid is fully screwed on)(Fig.1).
- 2- Check that thermostat mixer body and protection lid are perfectly horizontal.
- 3- Never close output nozzle. For testing check however that valve is closed.