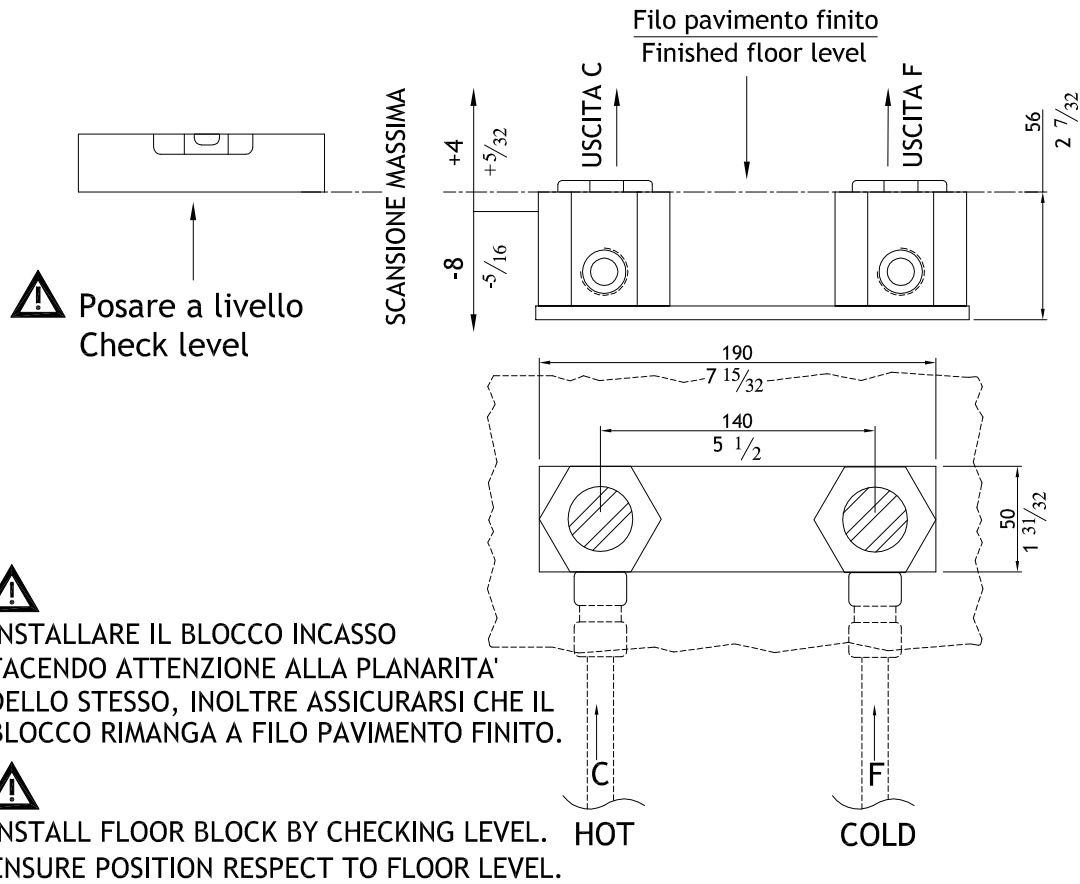


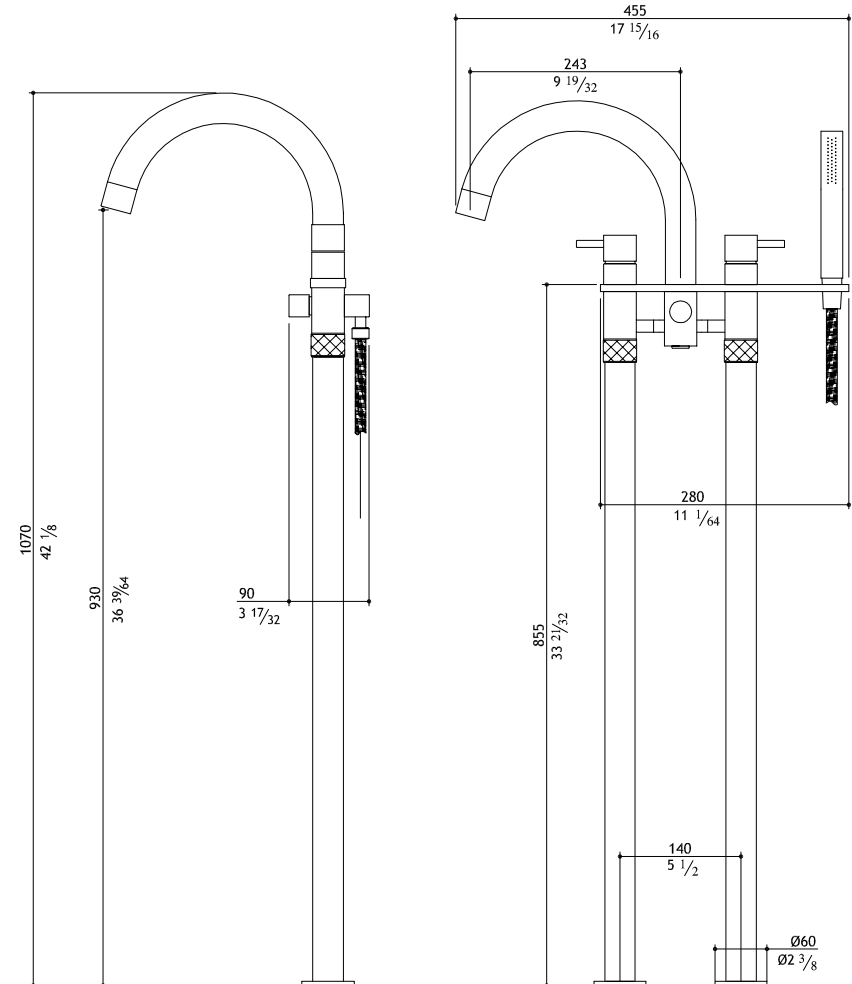
# Colonna Vasca - Bath mixer column

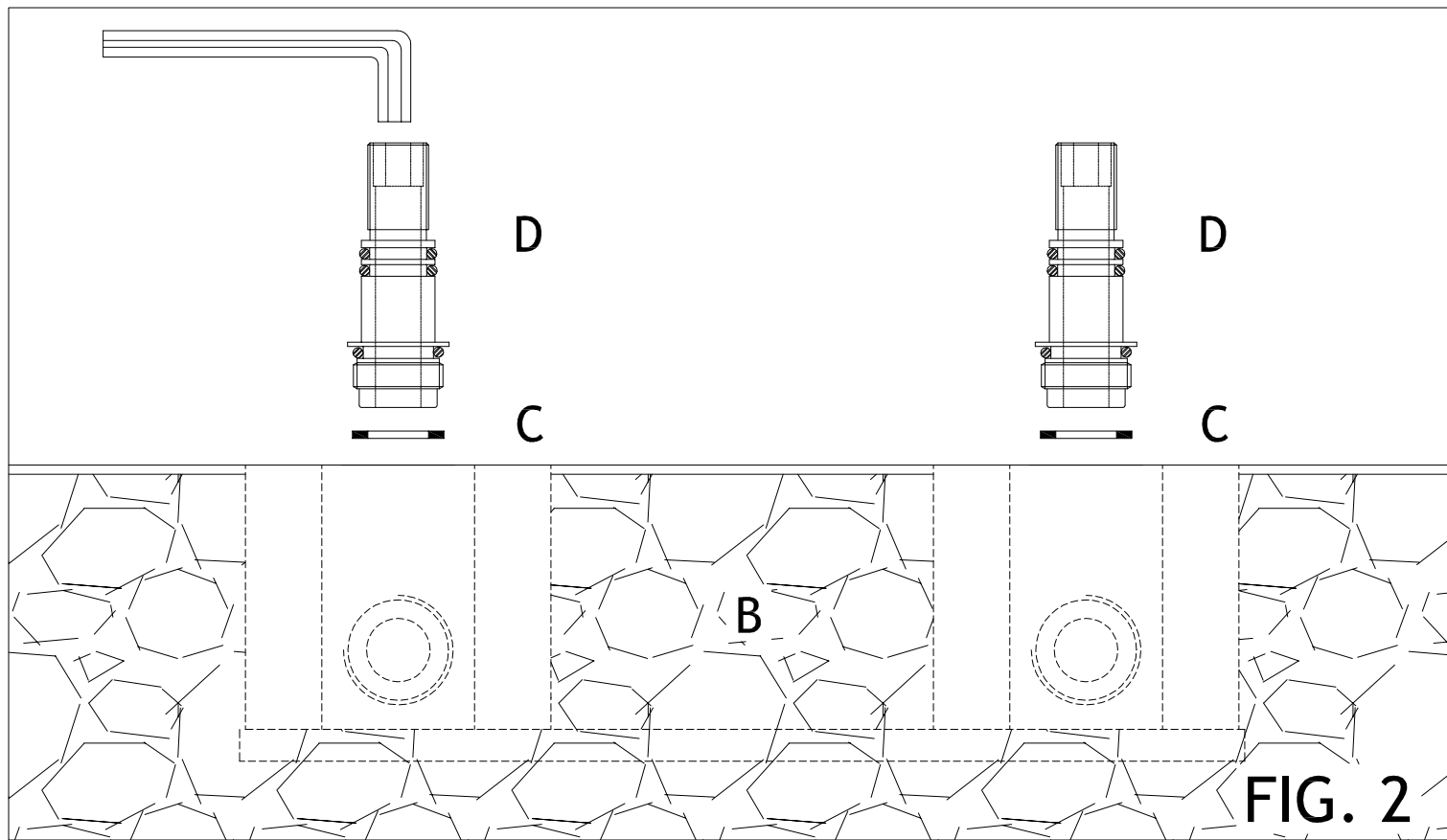
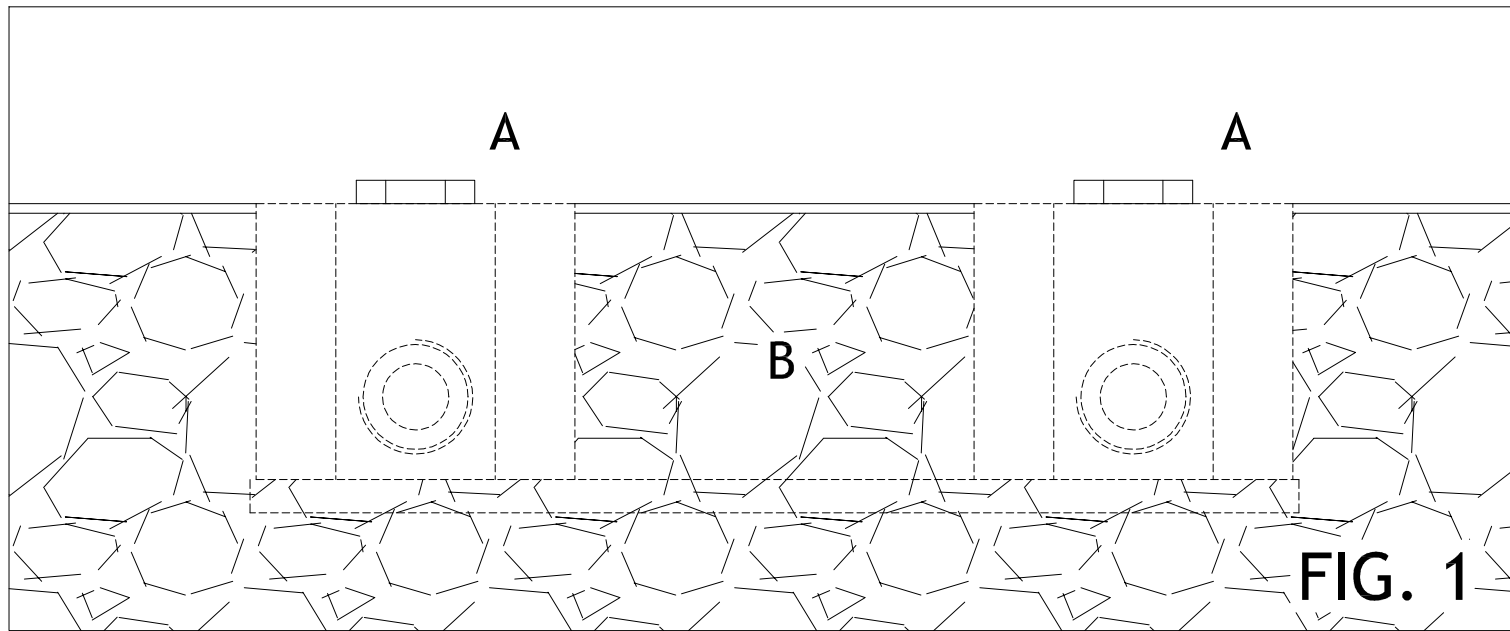
## INDICAZIONI PER L' INCASSO A PAVIMENTO FLOOR INSTALLATION INFO

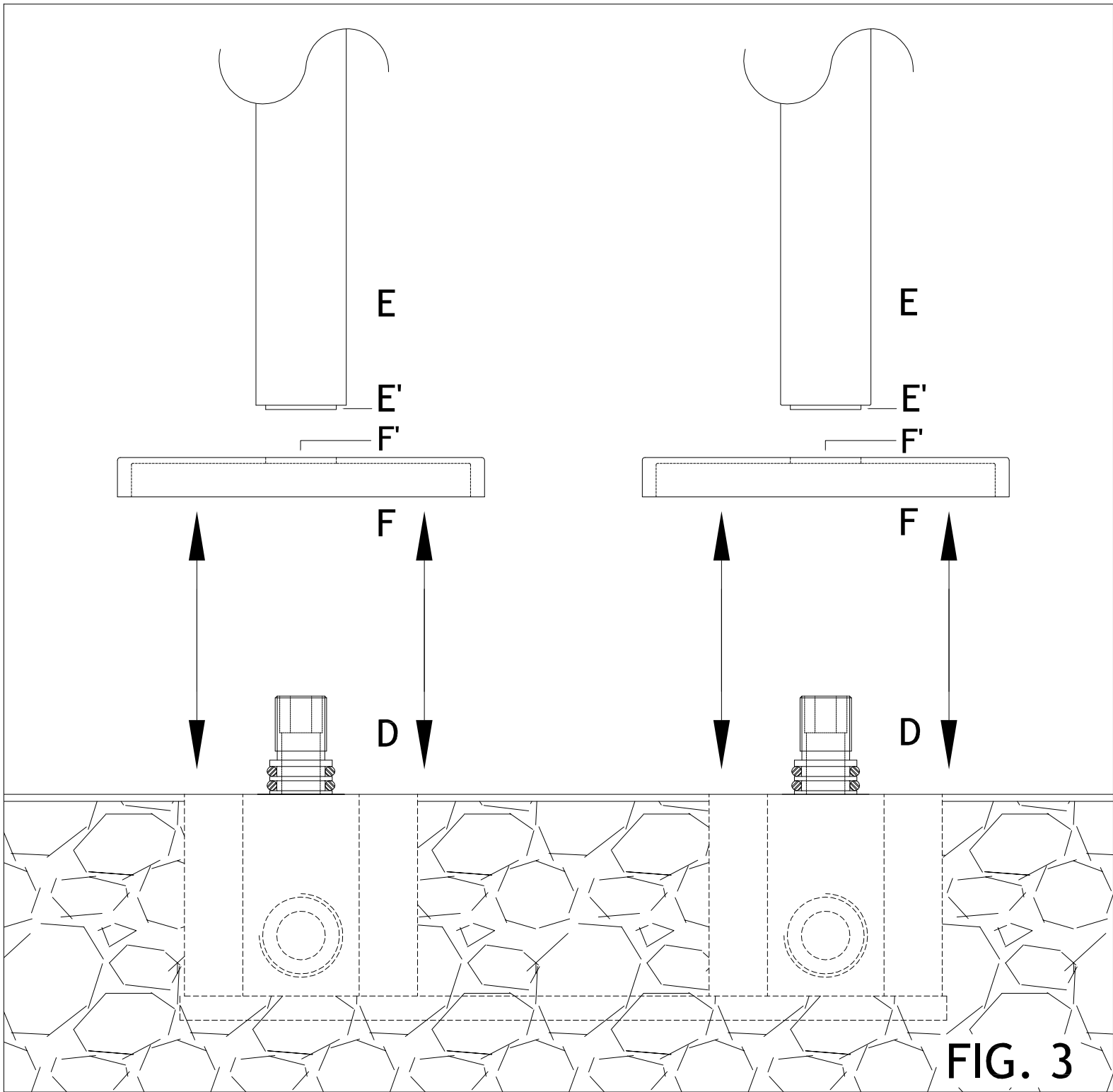


**⚠**  
INSTALLARE IL BLOCCO INCASSO  
FACENDO ATTENZIONE ALLA PLANARITA'  
DELLO STESSO, INOLTRE ASSICURARSI CHE IL  
BLOCCO RIMANGA A FILO PAVIMENTO FINITO.

**⚠**  
INSTALL FLOOR BLOCK BY CHECKING LEVEL.  
ENSURE POSITION RESPECT TO FLOOR LEVEL.







**FIG. 3**

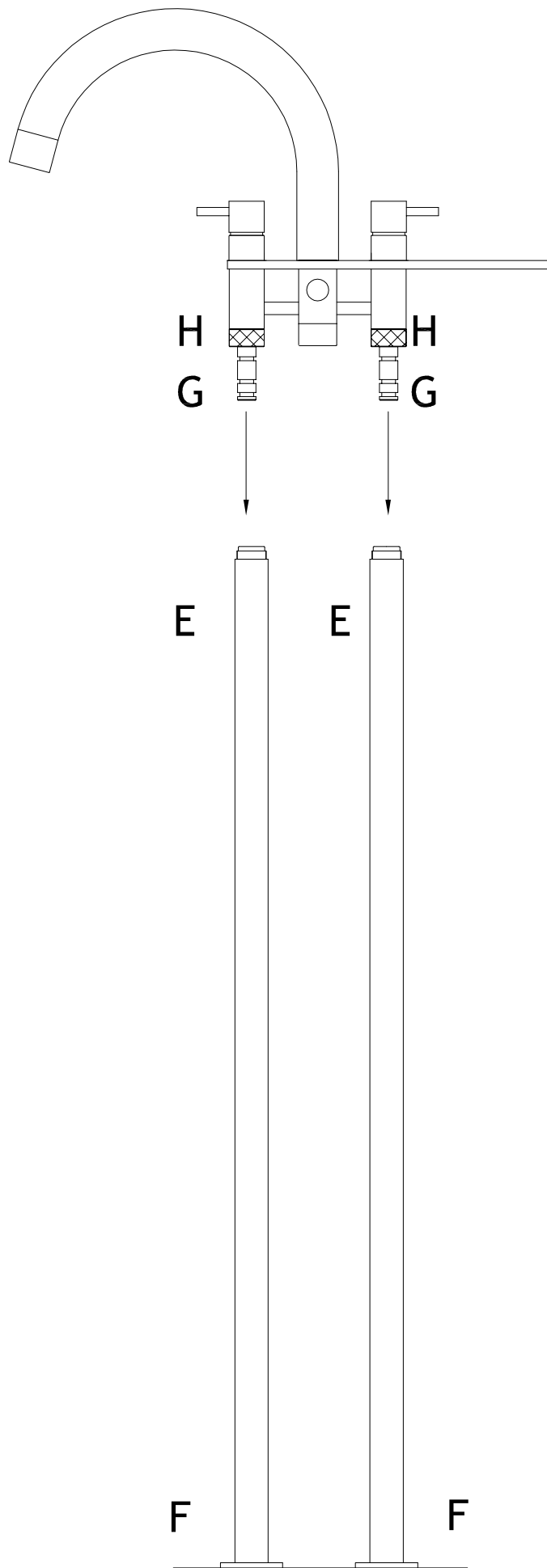


FIG. 4

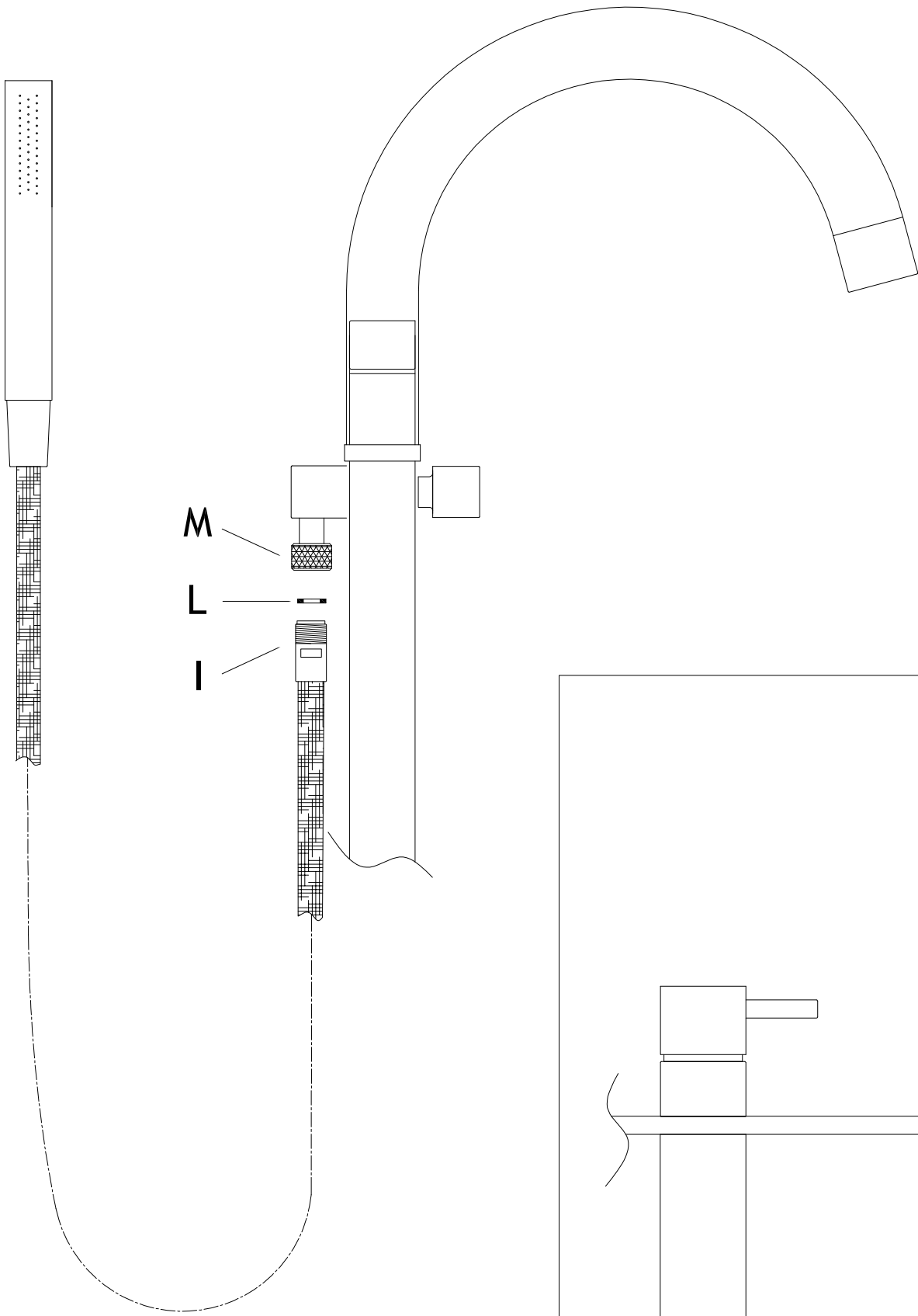


FIG. 5

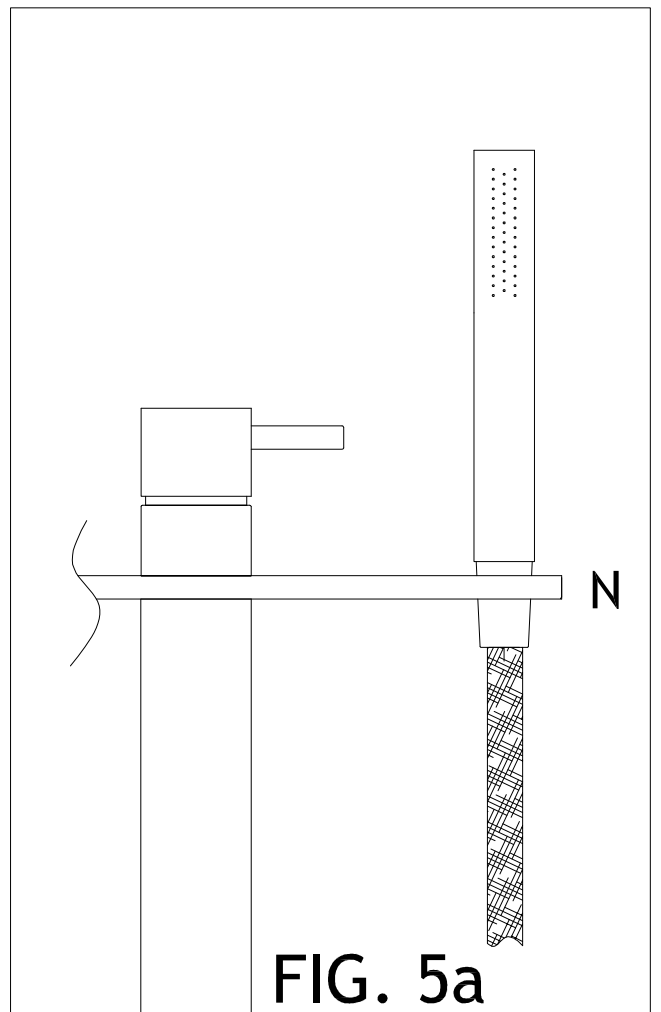


FIG. 5a

# **ASSEMBLY INSTRUCTIONS - BATH MIXER COLUMN**

**u.s.w. 95.206.60.0**

Remove various parts from the carton with extreme care.

(FIG 1)

- Unscrew and remove protection lids (A) with all gaskets.

(FIG 2)

- Insert enclosed gaskets (C).
- Tighten nozzles (D) with hexagonal key N° 10.

(FIG 3)

- Check that nozzles (D) are tight.
- Push rings (F) onto columns (E) so that (E') matches (F').
- Screw columns (E) onto nozzles (D) and tighten.
- Push rings (F) into position at the base of columns (E).

## **ASSEMBLY OF CONTROL UNIT**

(FIG 4)

- Insert nozzles (G) into columns (E) taking care of not damaging O-ring gaskets.
- Fully tighten rings (H).

## **CONNECTION OF HAND SHOWER**

(FIG 5)

- Screw knurled nut (M) to flexible hose (I) taking care that gasket (L) is in position.
- Place hand shower on console (N) (FIG 5a).