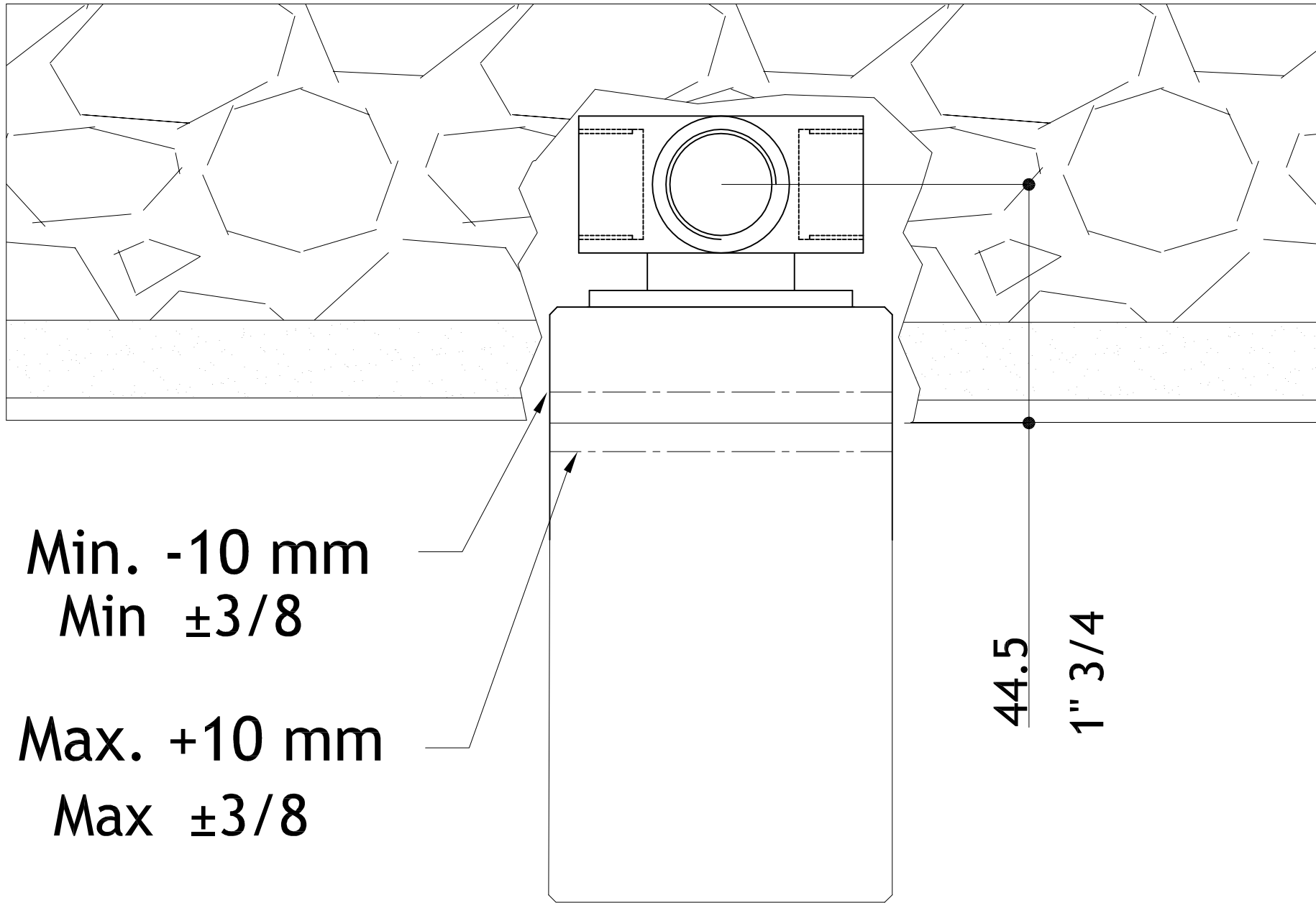


Fig.1

WARNING

- 1- The thermostatic mixer body must be installed so that the reference line on the protection cover will correspond to the future finished wall level.
- 2- Check that thermostatic mixer body and protection cover are perfectly horizontal.

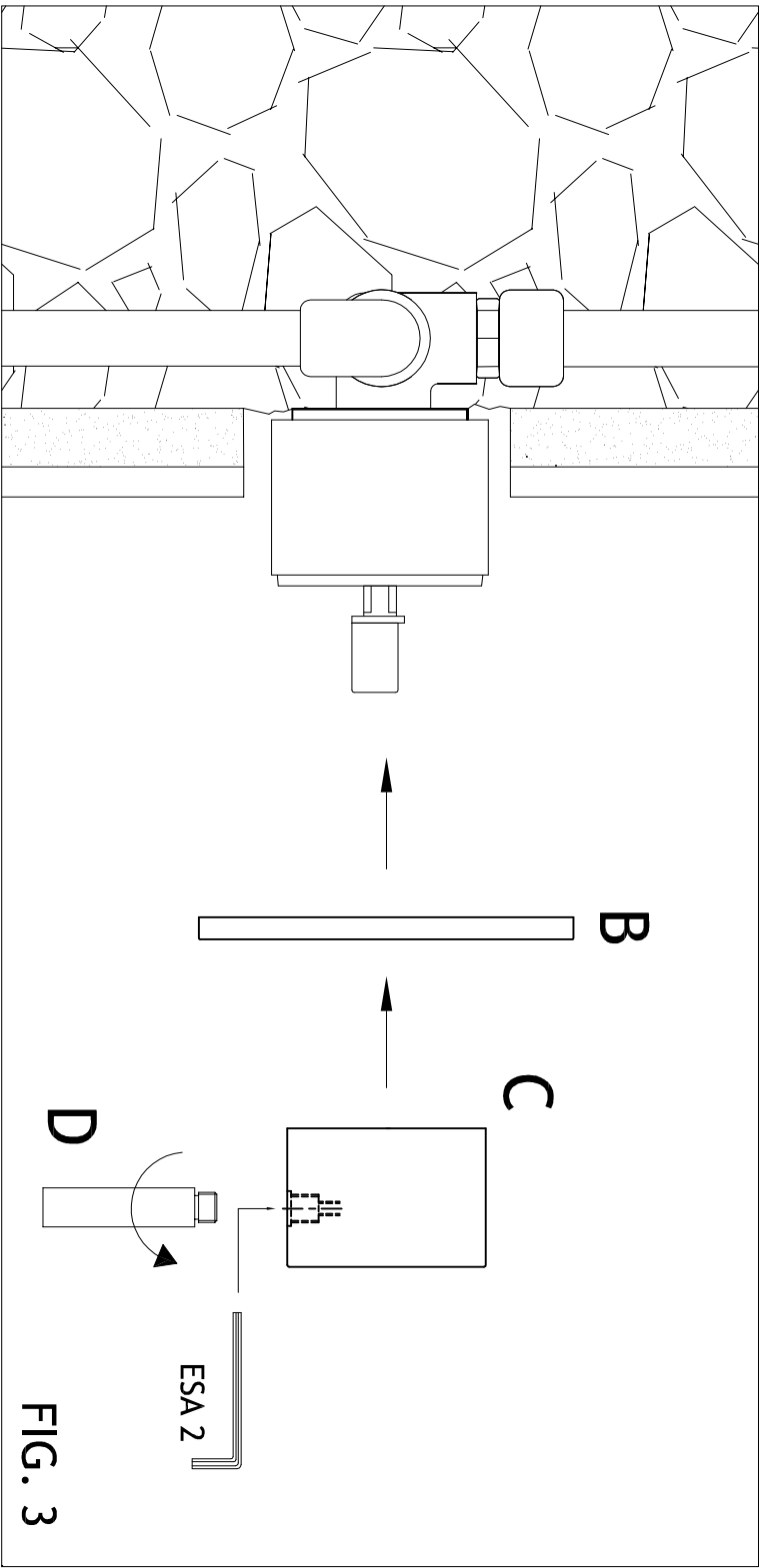
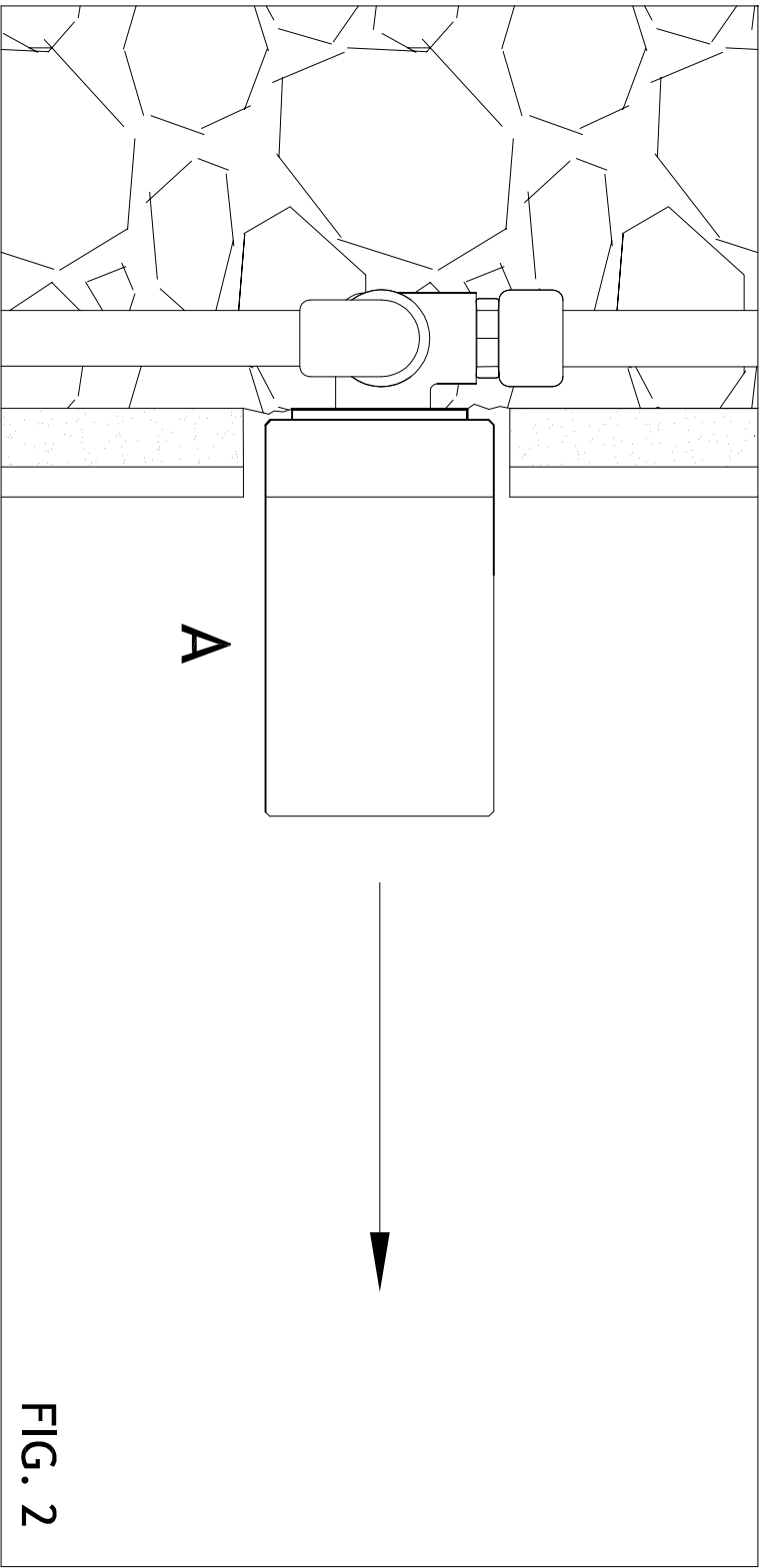


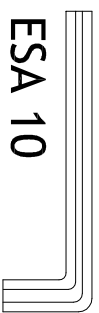
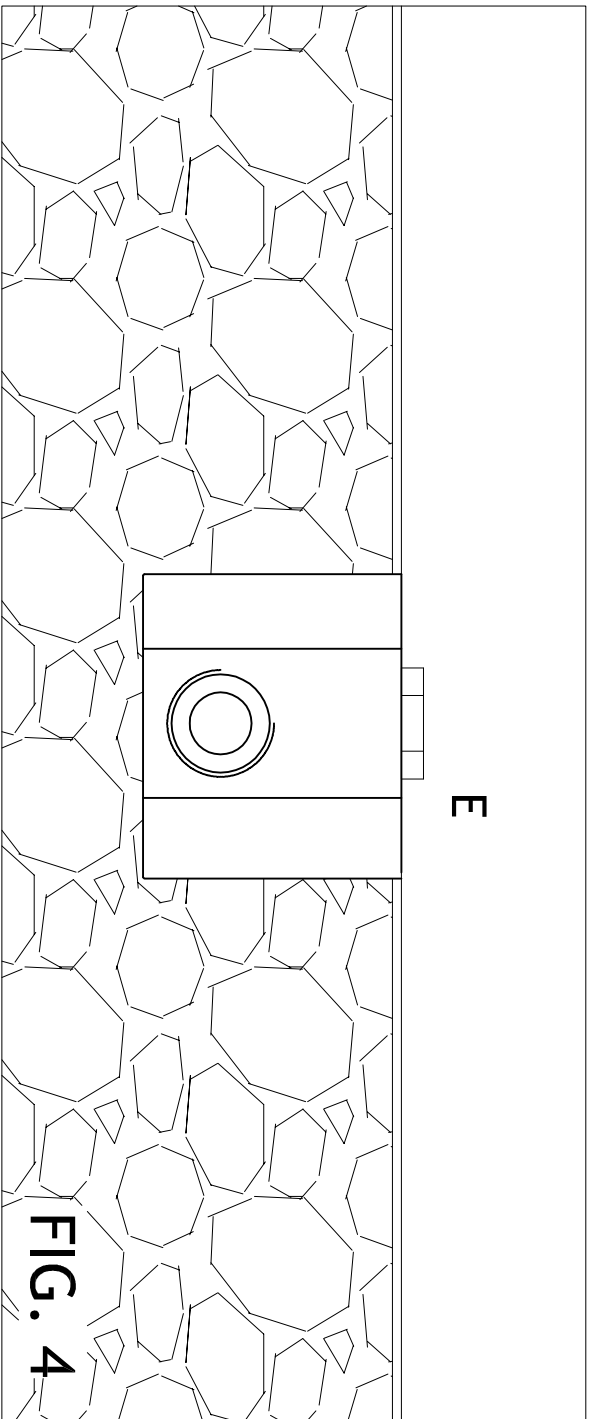
Min. -10 mm
Min $\pm 3/8$

Max. +10 mm
Max $\pm 3/8$

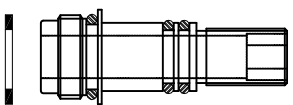
44.5
1" 3/4

FIG. 1

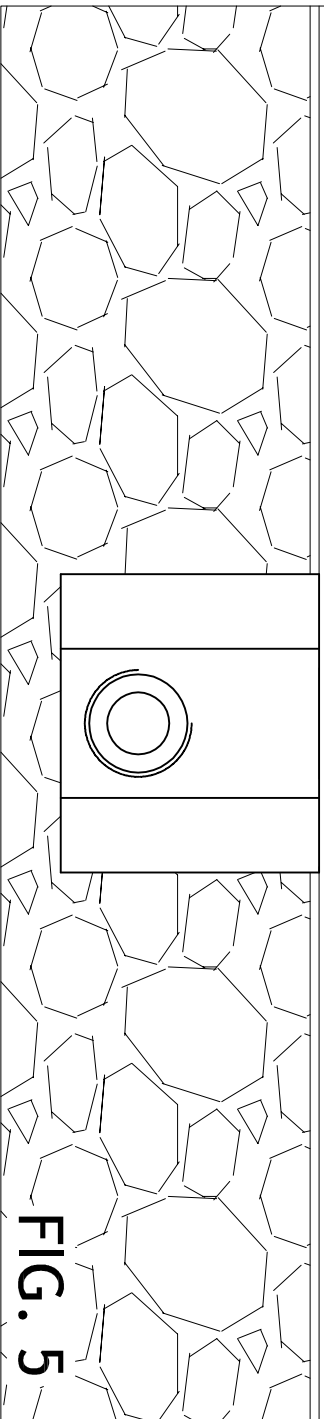


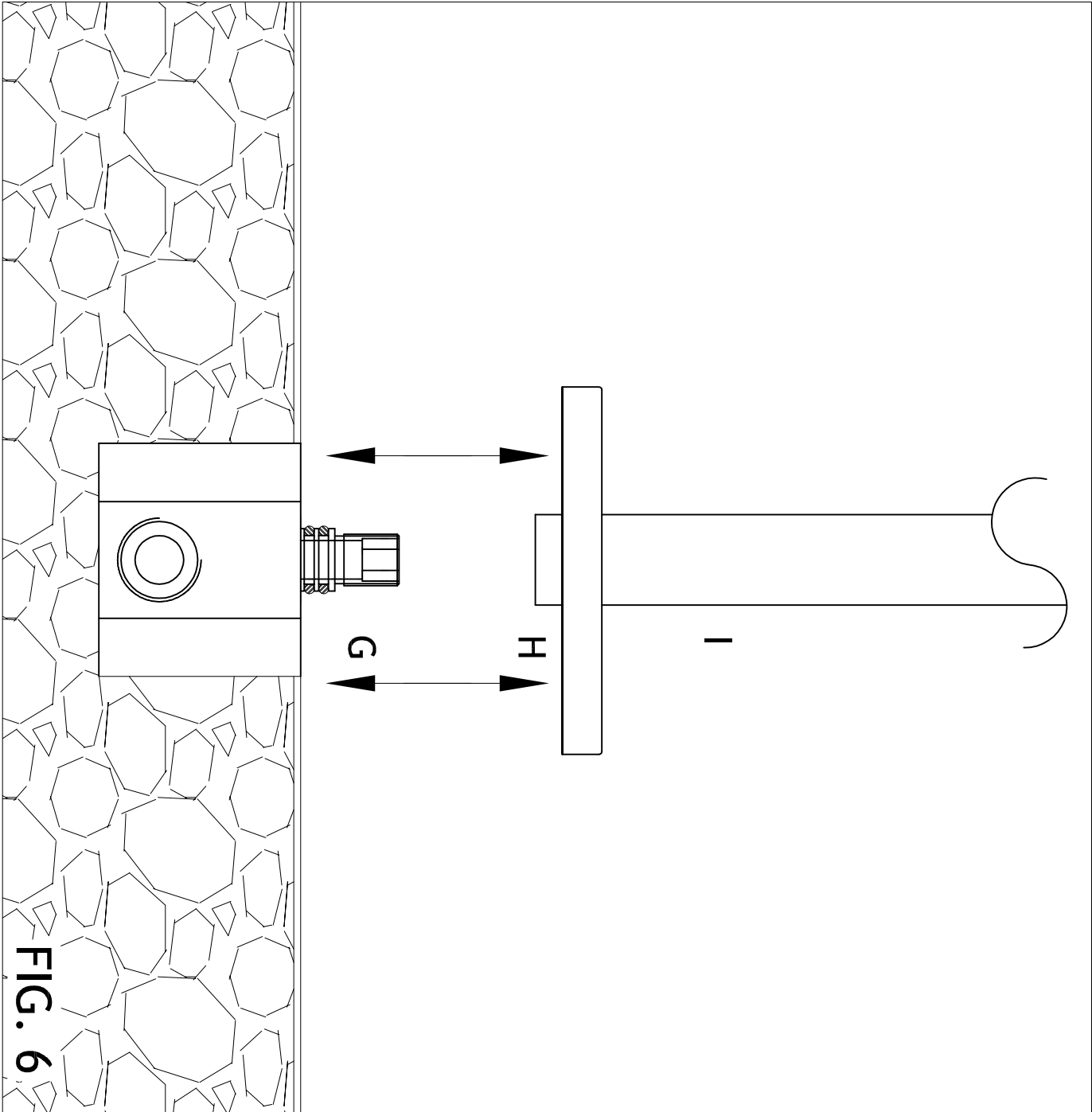


G



F





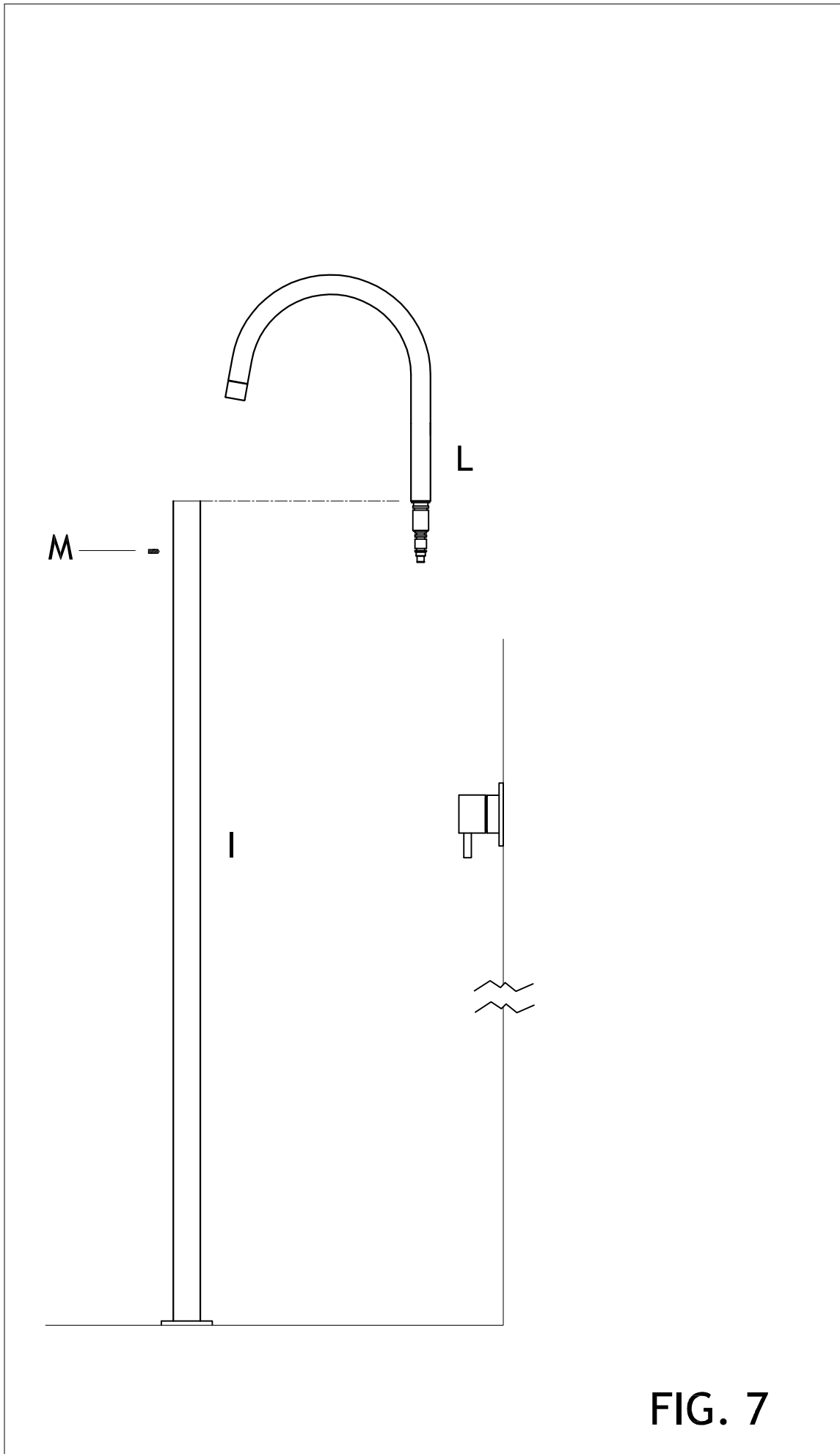


FIG. 7

ASSEMBLY INSTRUCTIONS WALL MOUNTED MIXER
WITH FLOOR SPOUT COLUMN
u.s.w. 95.070.60.0

ASSEMBLY INSTRUCTIONS BUILT-IN SHOWER MIXER

Remove various parts from the carton with extreme care.

Check on the wall that the built-in valve is clean and that installation has been made correctly, according to our separate pre-assembly instructions. In particular, check that the coloured line indicated on the plastic protection lid is positioned +/-10 mm with respect to the wall level (FIG 1) and that the shower handle finishing ring covers the wall cut area.

Remove protection lid (A) from the valve body (FIG 2).

ASSEMBLY OF THE CONTROL HANDLE

(FIG 3)

- Push finishing ring (B) through valve body against the wall.
- Push handle (C) onto the valves shaft and tighten grub screw with attached allen key (ESA2). - -
- Screw lever (D) onto handle (C).

SPOUT COLUMN ASSEMBLY

(FIG 4)

- Unscrew protection lid (E) and check that gasket (F) is inside ½"thread (FIG 2).

(FIG 5)

- Tighten nozzle (G) with hexagonal key N. 10.

(FIG 6)

- Check that nozzle (G) is tight.
- Push trim ring (H) onto column (I).
- Screw column (I) onto nozzle (G) and tighten.
- Push trim ring (H) into position at the base of column (I).

(FIG 7)

- Fully push spout (L) into column (I) and tighten grub screw (M), with allen key enclosed.