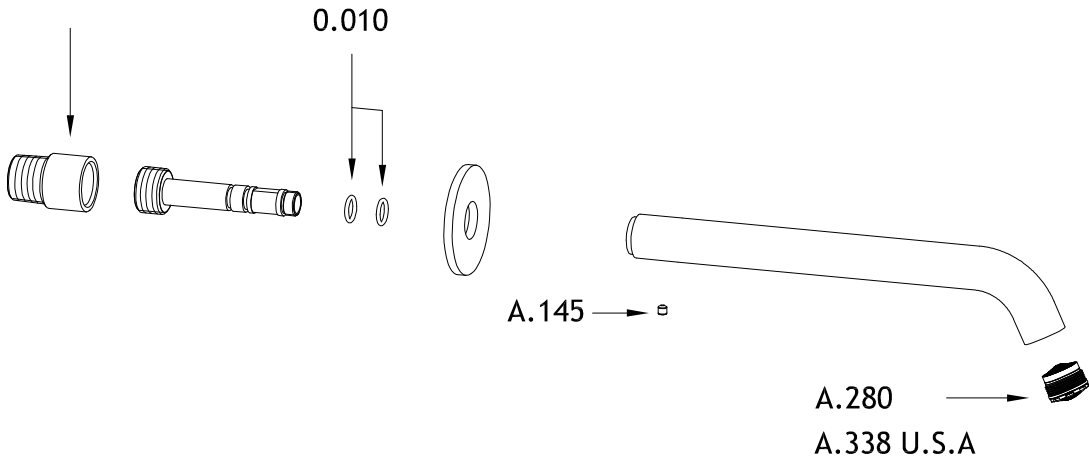


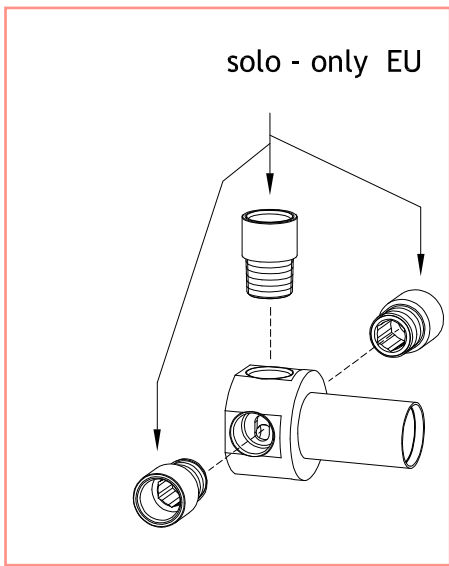
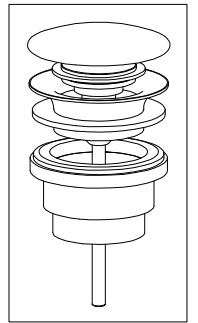
solo - only U.S.A.



solo - only EU

X32.1055 EU Matt
X31.1055 EU Brillant

S.188 →
solo - only EU



0.032

S.232

← A.155



MGS