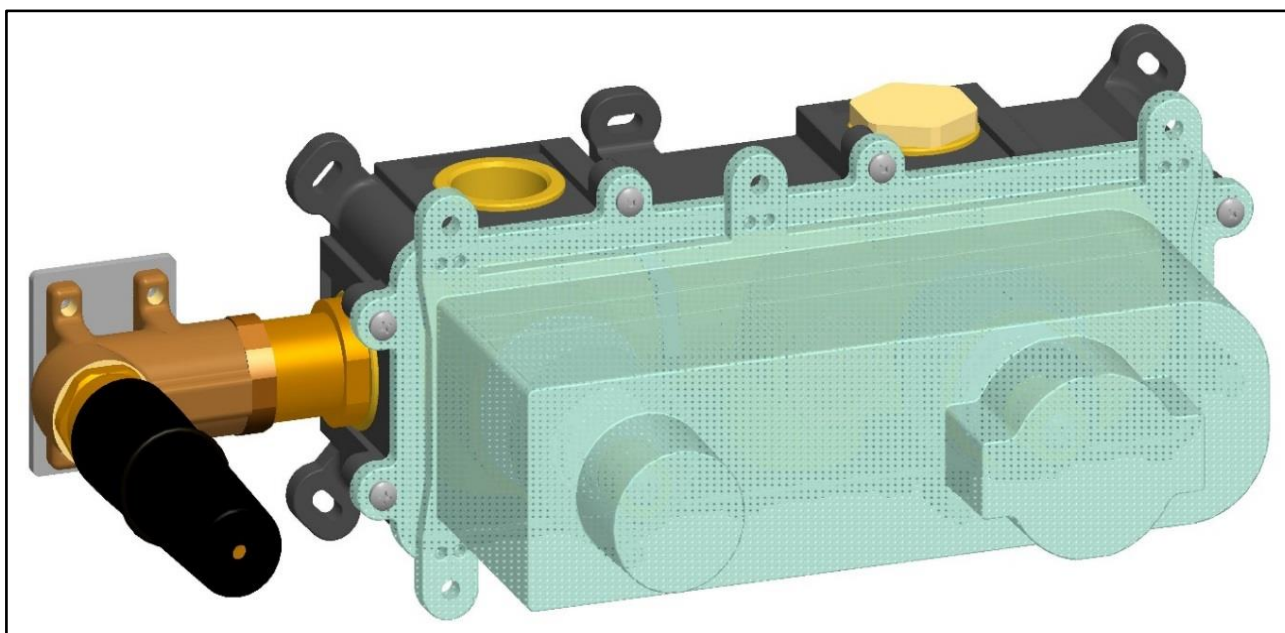


**BUILT-IN THERMOSTATIC SHOWER
MIXERS INCL. WATER OUTLET WITH
HOOK**

ROUGH-IN WITH BOX

Installation manual



MB / PE / ER - 455 SV9INC.311 EU

MB / PE / ER - 456 SV9INC.312 EU

GENERAL FEATURES

This mixer is suitable for all water heating systems provided it is installed correctly by a competent and qualified installer.

OPERATING SPECIFICATIONS

Hot water supply temperature:

Maximum: 85°C

Recommended: 65°C

Minimum: 5°C

Minimum difference between hot and mixed temperature 10°C

The temperature of the inlet hot water must be higher than the maximum mixed water temperature required from the outlet.

Working pressures

Maximum: 5 bar

Minimum: 0,1 bar

Hot and cold operating pressures should be kept as balanced as possible in order to maintain maximum efficiency.

When the supply pressure is higher than 5 bar a pressure reducing valve must be installed.

TECHNICAL DATA

The mixer is supplied with covers for the installation at a depth from 74 mm to 90 mm from the centre of the mains tube to the finished wall.

The temperature control knob is pre-set from the manufacturer at 38°C with stop at 44°C +/-2°C.

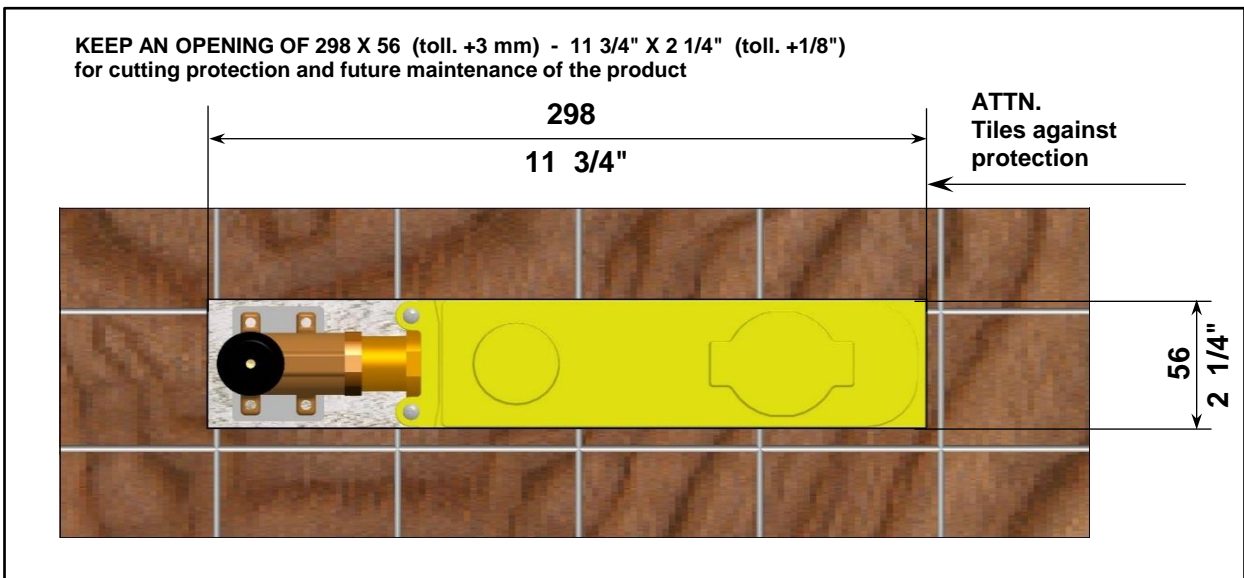
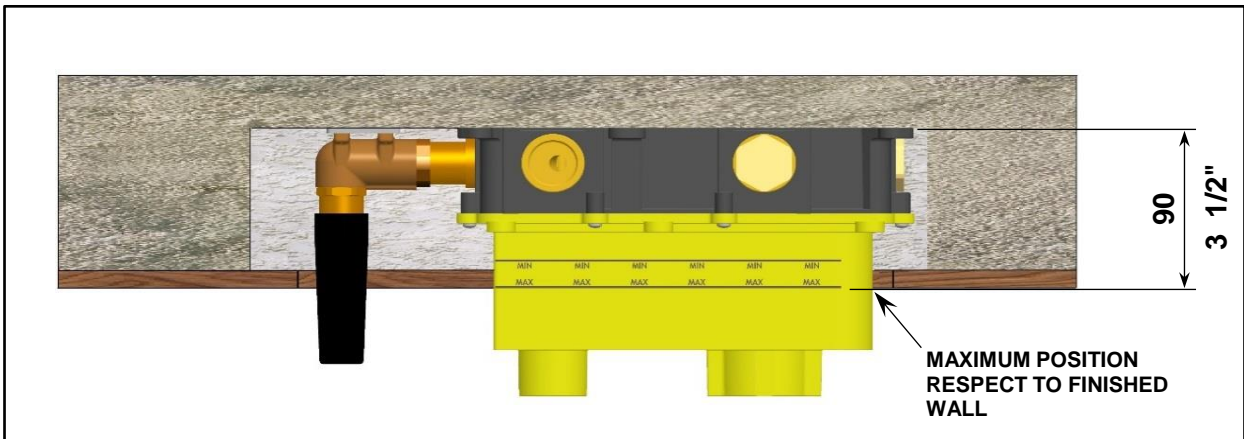
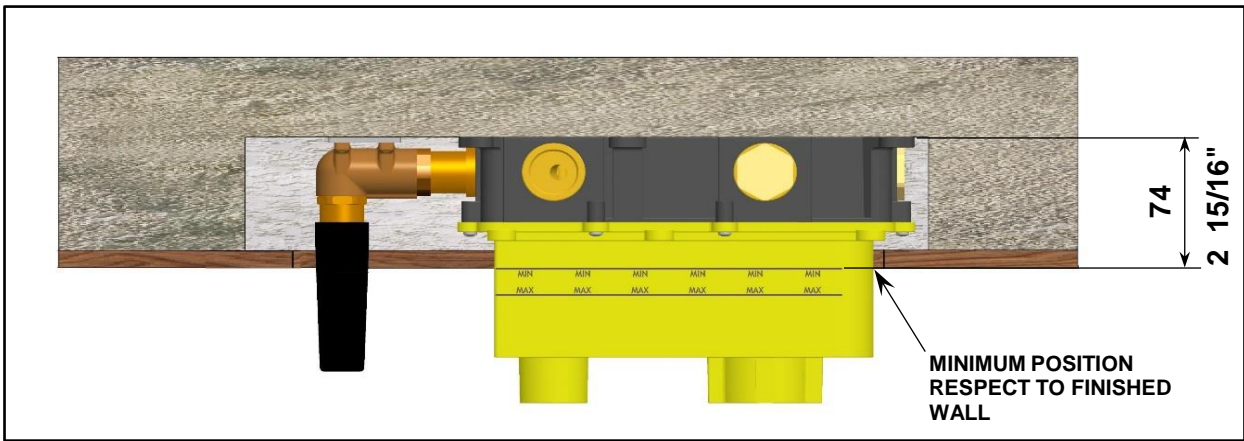
The mixer ports are supplied with female threads G $\frac{3}{4}$ ".

PLUMBING RECOMMENDATIONS

- ◆ An independent hot and cold water supply is required for the shower system.
- ◆ The recommended pipe work should be minimum 22 mm for low pressure systems.
- ◆ If more than one shower mixer is installed, the minimum feed should be 28 mm. (ensure adequate end constant supply of both hot and cold water)
- ◆ **READ CAREFULLY THIS MANUAL BEFORE USING YOUR MIXER AND KEEP IT AT HAND FOR FUTURE REQUIREMENTS**

INSTALLATION

Keep the thickness of final finishing material (tiles, marble, etc.) into consideration.



INSTALLATION

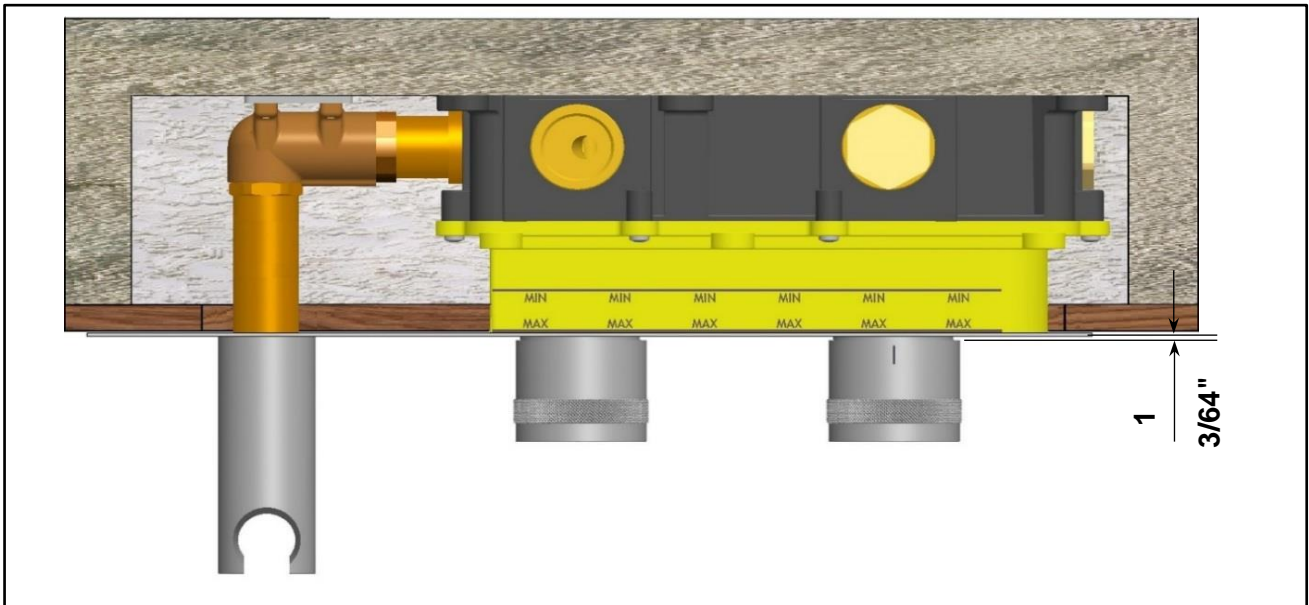
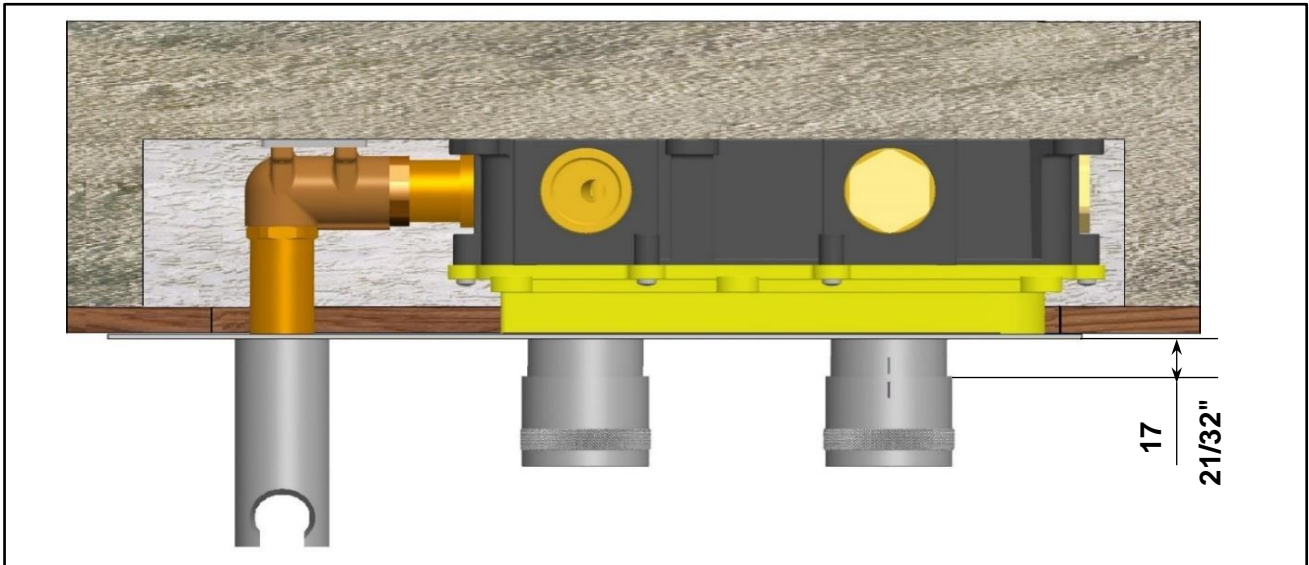
Trim plate position respect to handles

(considering MIN-MAX range of rough-in)

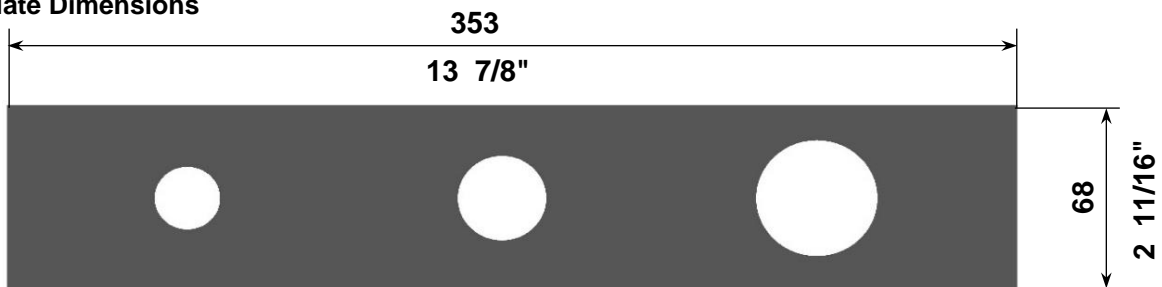
Distance between handles and trim plate = max 17 mm - min 1 mm (max 21/32" - min 3/64")

Possible gap = 16 mm (5/8")

Pictures referred to models ER455 - ER456



Trim Plate Dimensions



NOTE:

Same distances for models MB455 - MB456 and PE455 - PE456

Only handle design changes

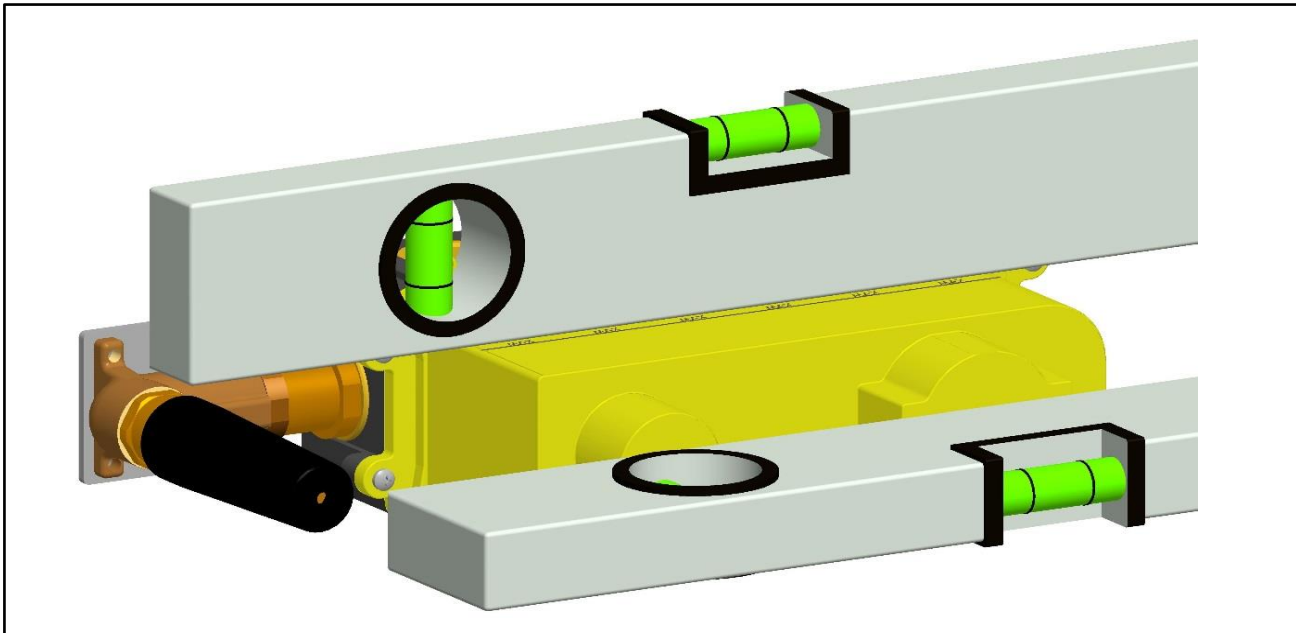
INSTALLATION

FITTING THE BOX

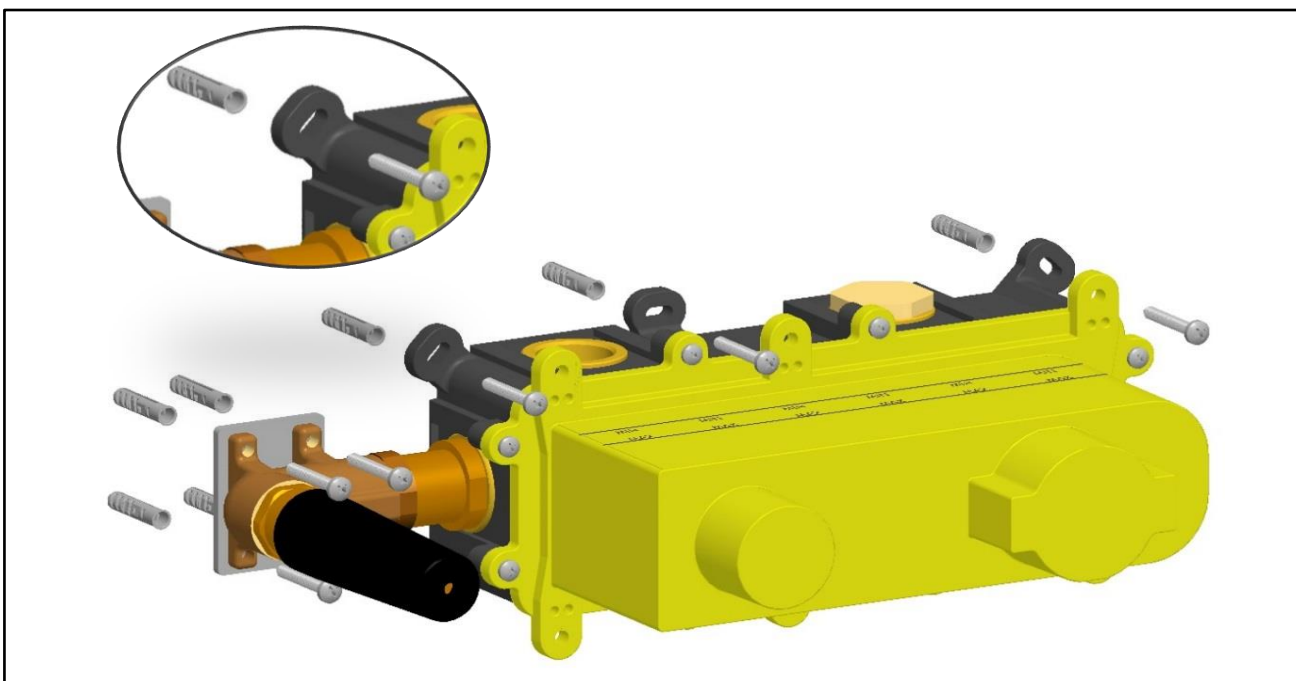
Attention:

Before securing the box, connect all necessary piping to the rough-in as planned within the water system.

Check level before securing the box



Secure the box to the wall by using screws and bosses (not supplied) according to the type of support (wood, concrete, etc.)



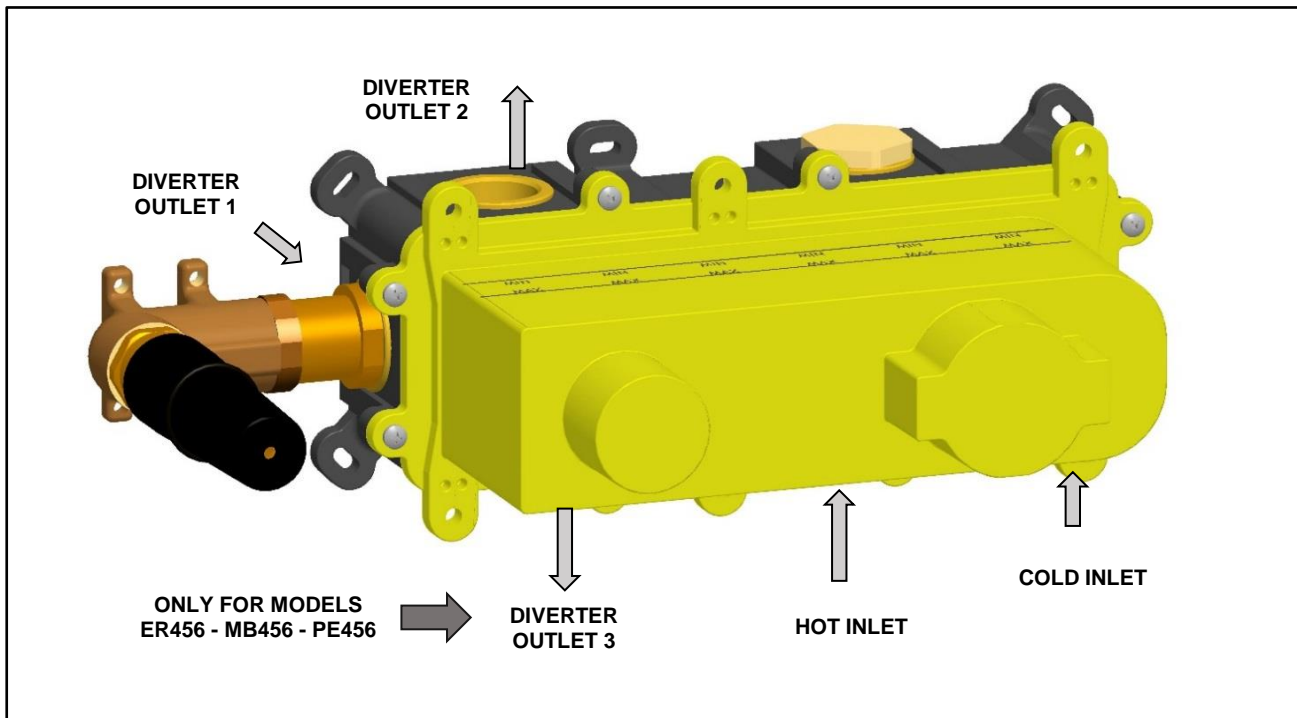
INSTALLATION

WARNING

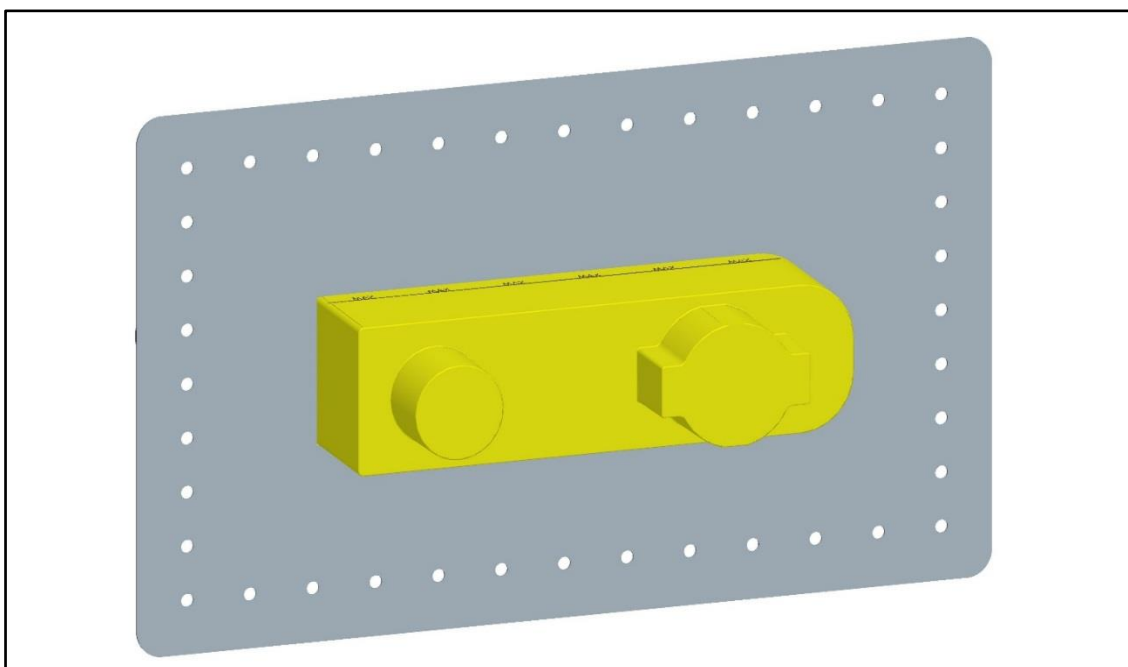
Rough-in box is made of plastic

Do NOT expose box to open flame or excessive heat

Installation outline

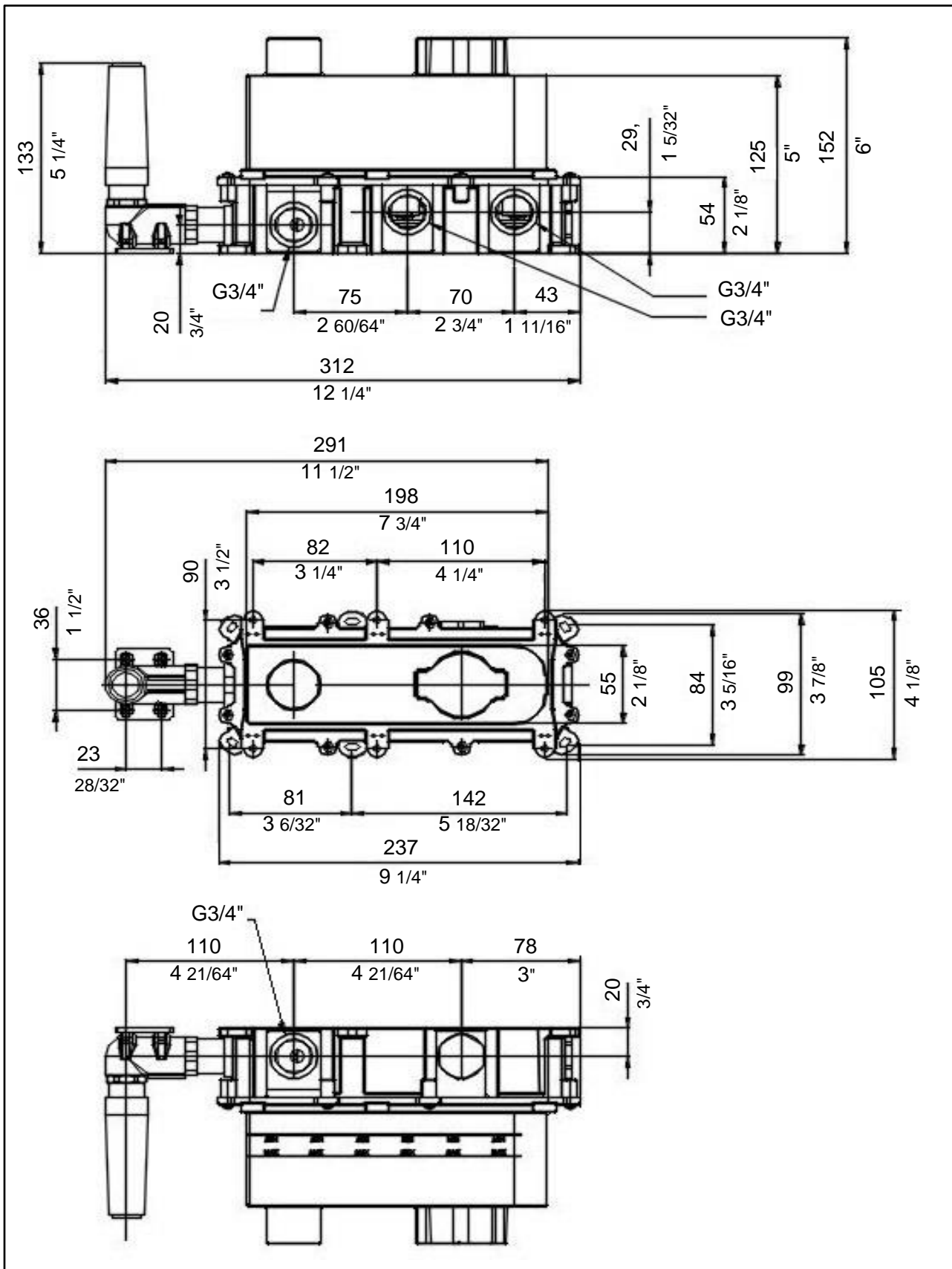


Before applying finishing layer (tiles, marble, etc.) fit gasket on the wall with glue.



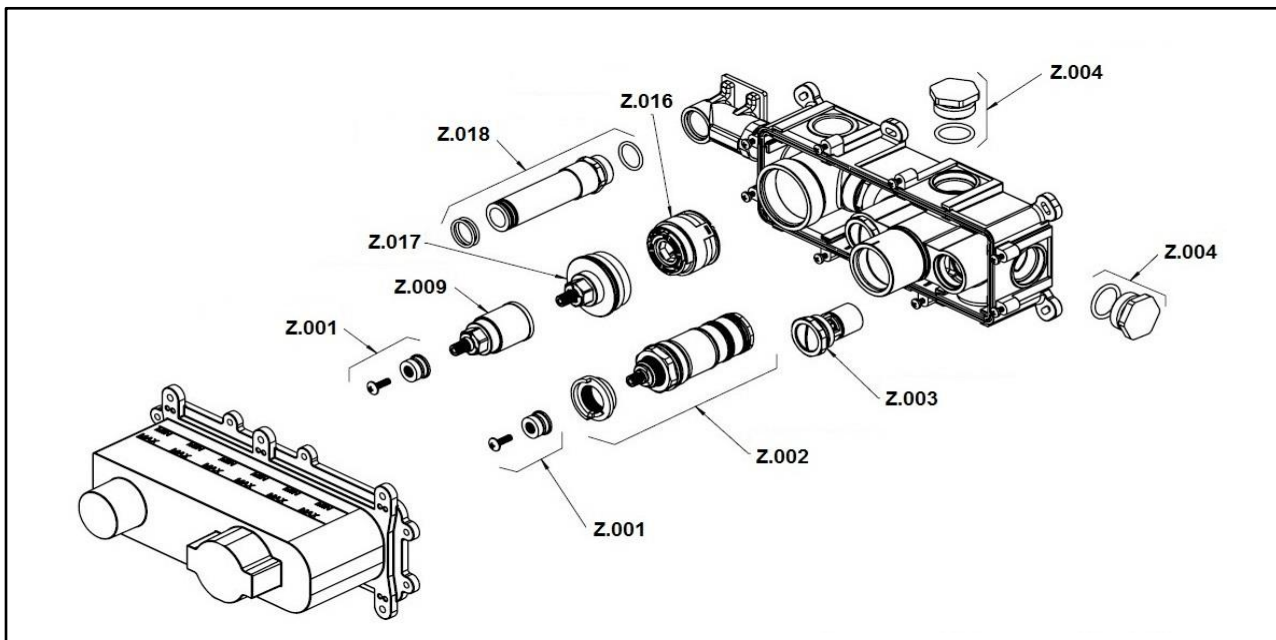
DIMENSIONS

Rough-in dimensions with protective box/covers

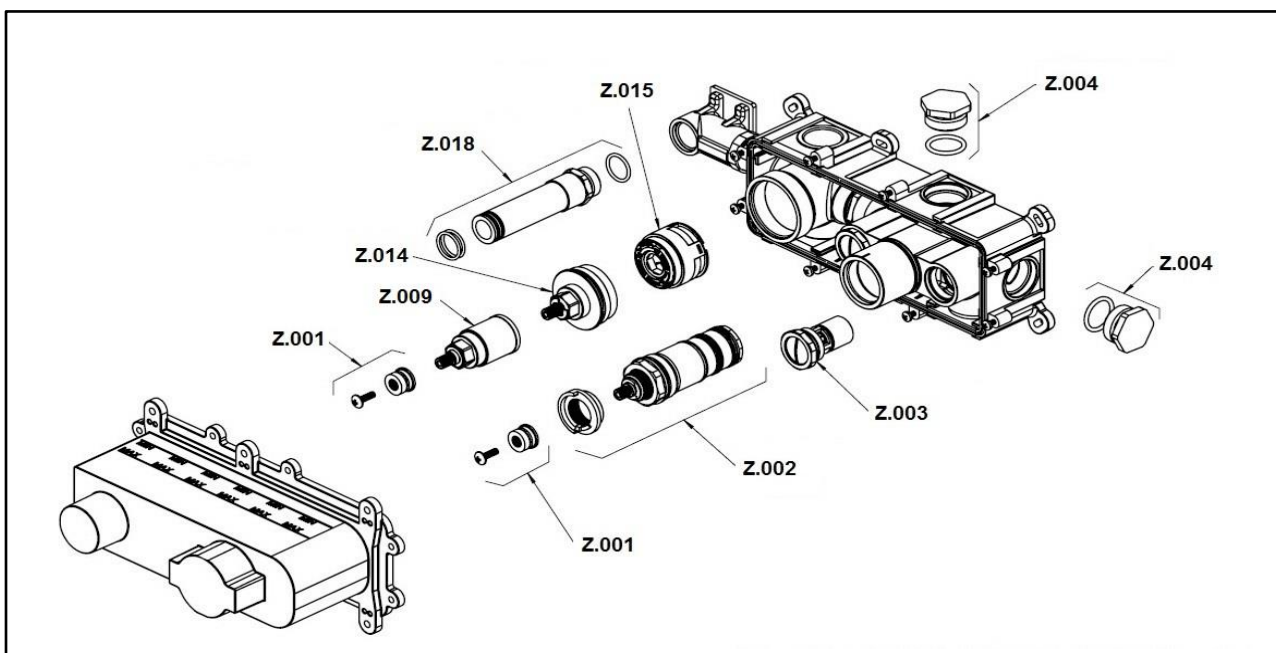


SPAR PARTS

MB / PE / ER - 455 SV9INC.311 EU



MB / PE / ER - 456 SV9INC.312 EU



Warranty

MGS products are covered by a warranty of 5 years from purchasing date on all stainless steel parts and of 2 years on all other components. During this period, parts with construction defects in materials or workmanship will be replaced free of charge. This warranty will not respond in the case of faults caused by unsuitable or improper use, wrong installation, natural wear, improper or careless treatment, wrong usage of cleaning or maintenance products. MGS will not assume liability for labour expended, freight cost or damages accruing from the use of the material purchased from us. If material is defective, the limit of damage is the price of the defective material. Proof of purchase (original sales receipt) from the original consumer purchaser must be made available to MGS for all warranty claims. The warranty is not transferable and is extended solely to the original purchaser of the product.

Garantie

Auf MGS Produkte gewähren wir Ihnen 5 Jahre Garantie ab Kaufdatum für alle Edelstahlteile und 2 Jahre für alle anderen Komponenten.

Während diese Zeiträume werden alle Teile, die einen Konstruktionsfehler aufweisen, kostenlos ersetzt. Diese Garantie wird nicht gewährt bei unsachgemäßem Gebrauch, falscher Montage, nachlässiger Handhabung, falscher Anwendung von Reinigungsmitteln und fehlender oder mangelhafter Wartung. MGS ist nicht verantwortlich für eventuelle Eingriffskosten zu Hause des Kunden. Im Schadenfall entspricht die Rückerstattung des Schadens dem Preis des defekten Materials. Die Garantie ist nicht übertragbar und der Käufer muss Kaufdatum und Originalquittung vorweisen.

Condizioni di garanzia

Le parti in acciaio dei rubinetti MGS sono garantite per 5 anni, mentre gli altri componenti per 2 anni (cartucce, flessibili, ecc.). Durante il periodo di garanzia tutte le parti riportanti difetti dovuti a vizi di fabbricazione saranno sostituite gratuitamente.

Questioni legate a un utilizzo anomalo o inadeguato, installazione difettosa, normale usura, uso negligente o errato, impiego di prodotti per la pulizia inadatti e a danni di trasporto non sono coperte dalla garanzia.

MGS non è responsabile per eventuali costi di intervento al domicilio del cliente finale. In caso di difetto il limite del danno rimborsato è definito dal prezzo del materiale difettoso. L'acquirente per avere diritto alla garanzia deve dimostrare la data di acquisto con la prova di acquisto originale.

Garantie

Les robinets MGS sont garantis pour une période de 5 ans pour toutes les parties en acier inoxydable et de 2 ans pour les autres composants.

Pendant la période de garantie toutes les parties avec un défaut de construction seront remplacées gratuitement.

La garantie n'a plus de validité dans les cas de mauvaise utilisation tels qu'installation défectueuse, usage impropre, mauvais nettoyage, etc... De même pour les dommages de transport et la normale usure. MGS n'est pas responsable pour les frais d'intervention au domicile du client final. Lorsqu'un robinet est défectueux la limite du défaut ne peut pas dépasser le prix de la pièce défectueuse.

La garantie commence à la date d'achat du robinet et la facture originale est nécessaire afin d'établir la validité de la garantie

MGS Progetti srl

Corso Milano 189 28883 Gravellona Toce (VB) Italy

Tel.: +39 0323 865218 Fax +39 0323 865215

www.mgstaps.com E-mail: info@mgstaps.com