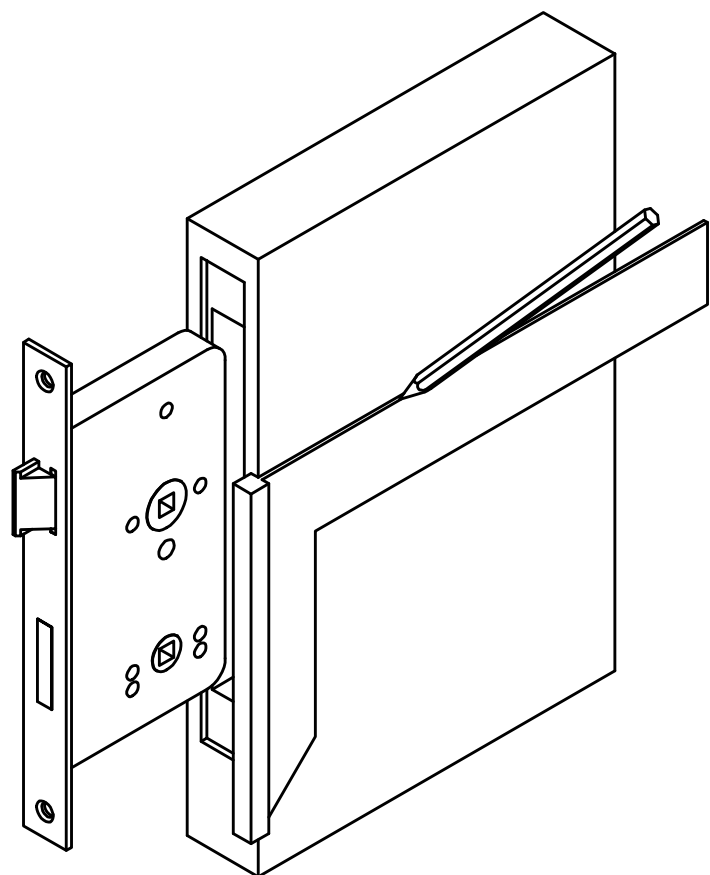


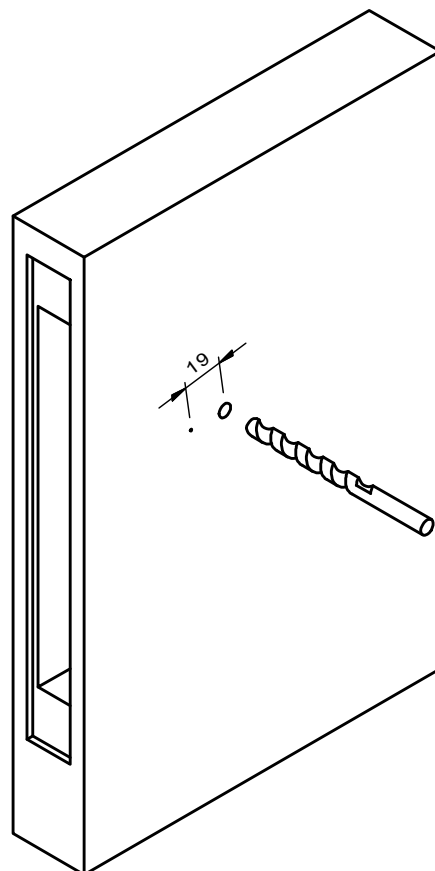
INDICATE THE EXACT POSITION
OF THE CENTER OF THE SQUARE HOLE
AND ON 19 MM OF SQUARE HOLE

ON BOTH SIDES



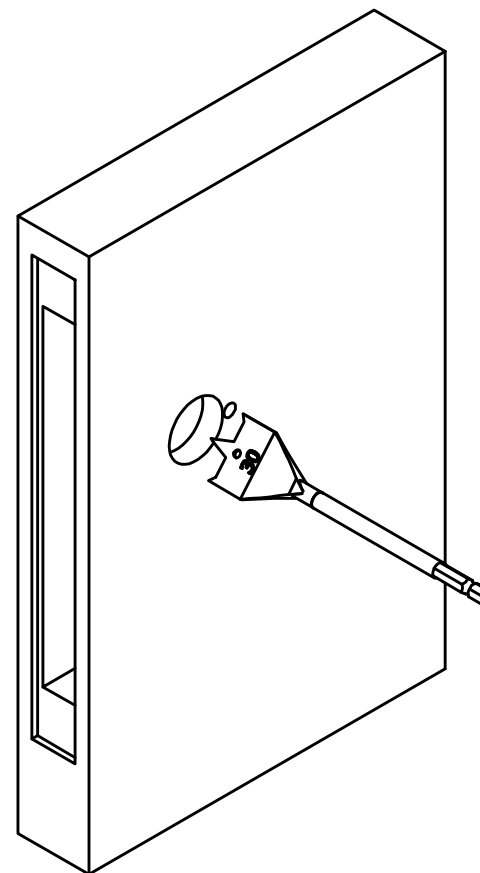
DRILL HOLE OF Ø 6.5
ON 19 MM OF CENTER OF SQUARE HOLE

ON BOTH SIDES



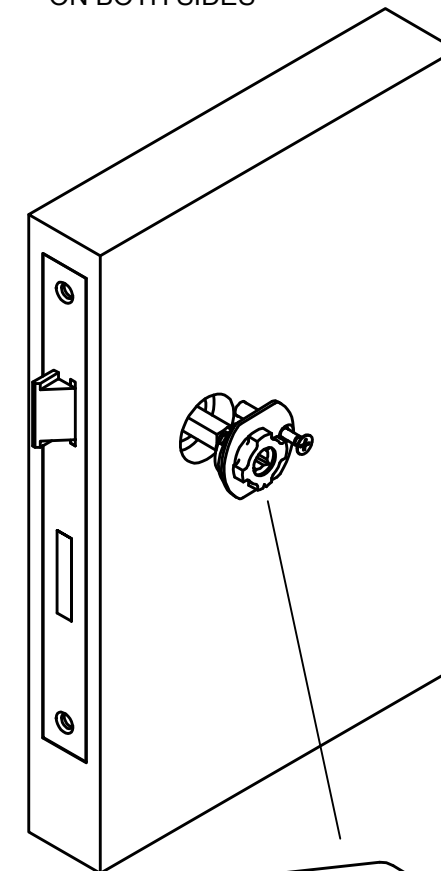
DRILL HOLE OF Ø 30
ON CENTER OF SQUARE HOLE

ON BOTH SIDES



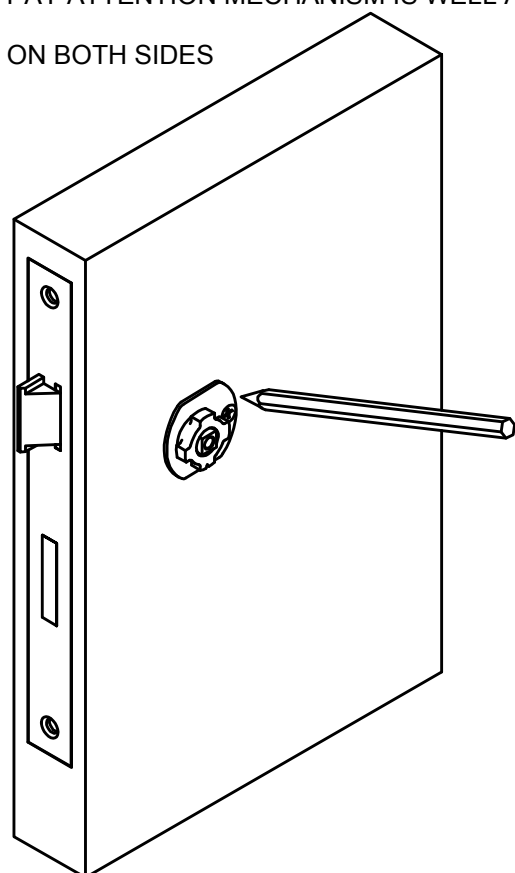
MOUNT LOCK
PUT SPINDLE AND AXE IN THE LOCK
SLIDE THE MECHANISM
(HOLE IS POSITIONED AT THE BOTTOM)

ON BOTH SIDES

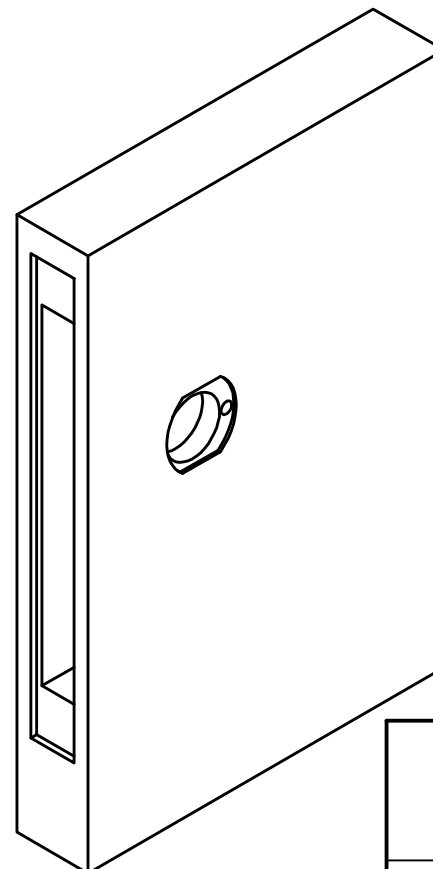
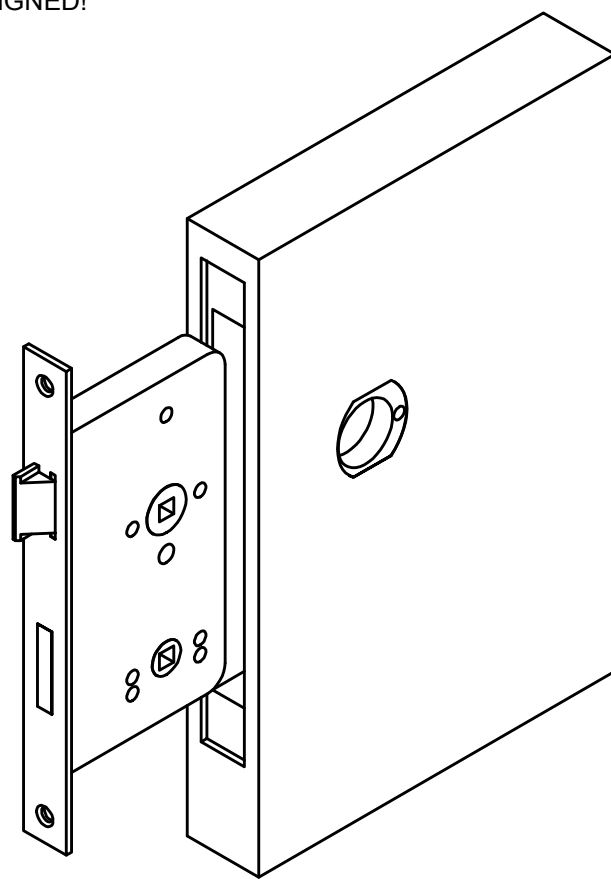


MARK EXACT SHAPE OF MECHANISM
PAY ATTENTION MECHANISM IS WELL ALIGNED!

ON BOTH SIDES



TAKE OUT THE LOCK



THE MECHANISM HAS A SLOT
AT THE BOTTOM

MILL CHAMBER, DEEPNESS 1.0 MM
WITH A ROUTER BIT Ø 6 MM
PAY ATTENTION NOT TO MILL TOO DEEP!

FORMANI®

Part number:

Description:

Format:

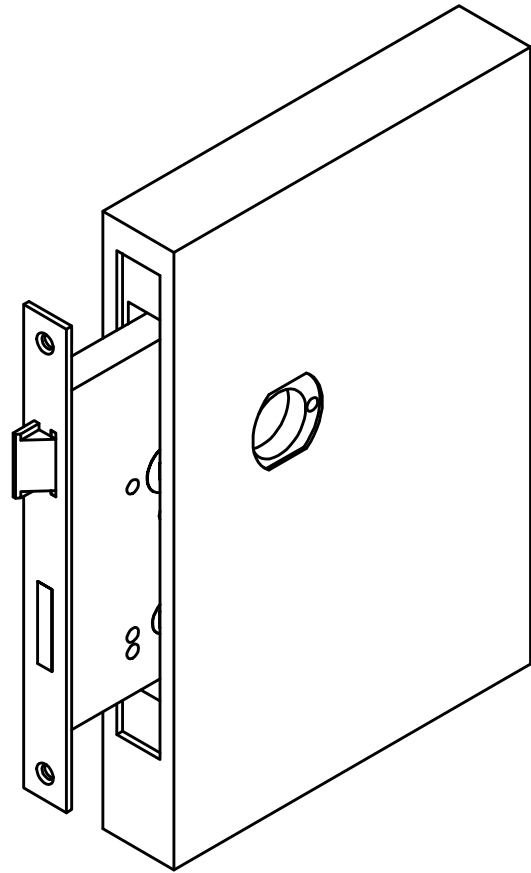
Doc no.: MI 3201D001-2-3 P01 V01 EN.dwg

Drawn by: Christian

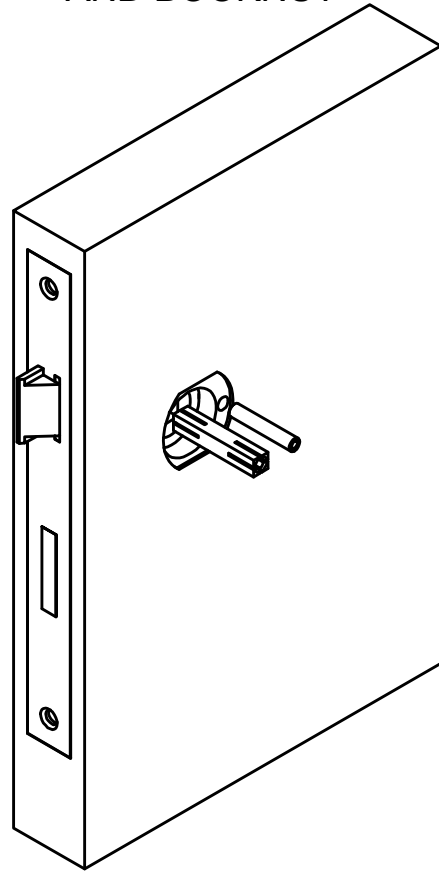
Creation date: 30-7-2014

A3

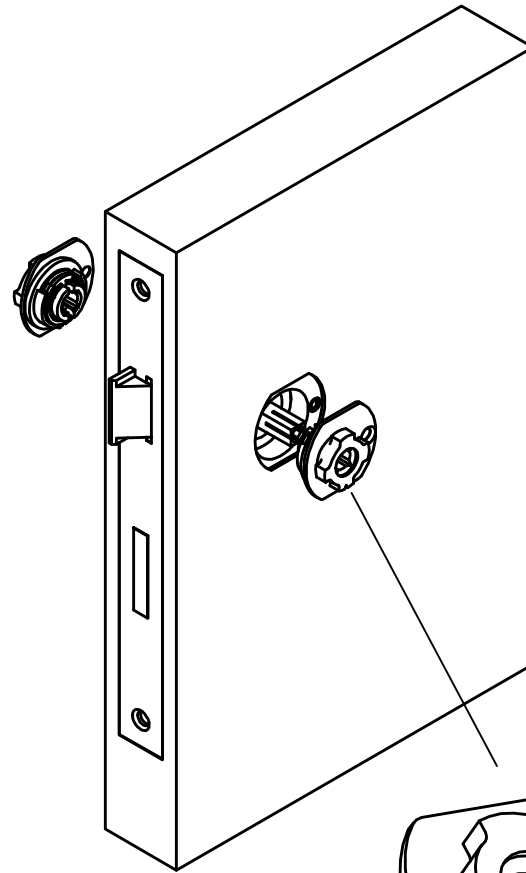
MOUNT THE LOCK



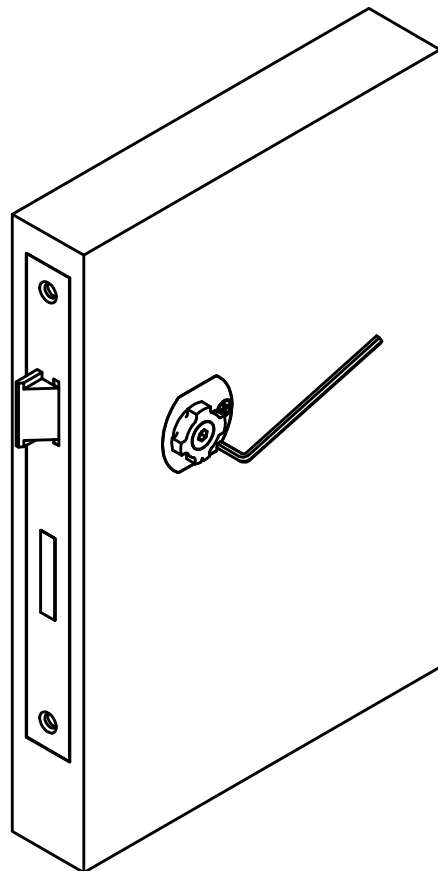
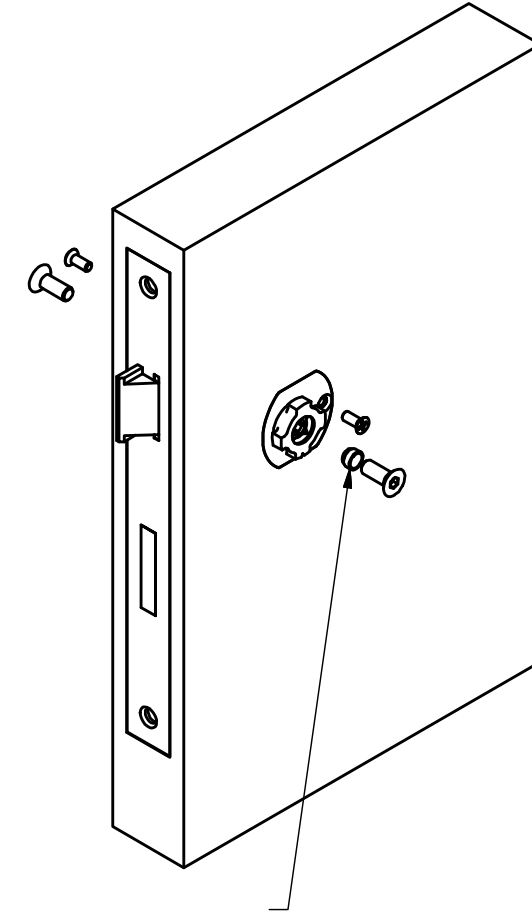
MOUNT THE SPINDLE AND BOOKNUT



MOUNT THE MECHANISM

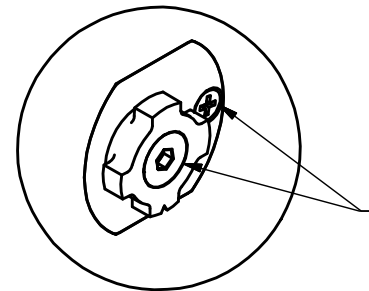


TIGHTEN THE SCREWS



ADJUST THE MECHANISM
DO NOT OVERTIGHTEN
UNTIGHTEN IF NECESSARY

THE MECHANISM HAS A SLOT
AT THE BOTTOM



pay attention that the screws do not protrude!
Should not stick out!

we advise to use conical spacers to expand the spindle
2 different spacers are supplied standard , 3 mm and 4.5 mm

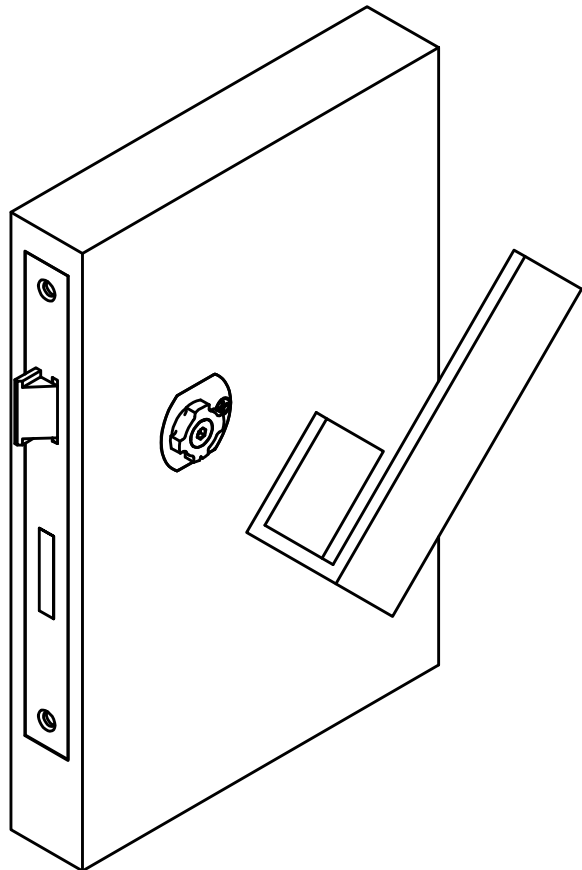


according doorthickness, different combination are proposed:

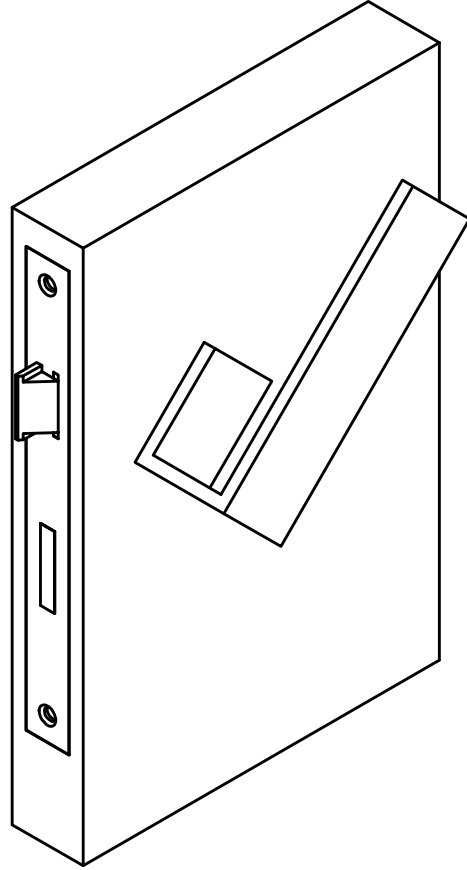
- door thickness 38 - 45 mm spindle + 1 spacer 3 mm + screws
- door thickness 40 - 45 mm spindle + 1 spacer 4.5 mm + screws
- door thickness 42 - 45 mm spindle + 1 spacer 4.5 mm + screws
- door thickness 44 - 45 mm spindle + 1 spacer 3 mm + 1 spacer 4.5 + screws
(can be different according situation/tolerances)

<h1>FORMANI®</h1>		Part number:	
		Description:	
Doc no.: MI 3201D001-2-3 P02 V01 EN.dwg		Format:	
Drawn by: Christian	Creation date: 30-7-2014	A3	
Formani Holland B.V. · Amerikalaan 55 · 6199 AE Maastricht Airport · tel: +31 (0)43 308 90 00 · www.formani.nl · info@formani.nl			

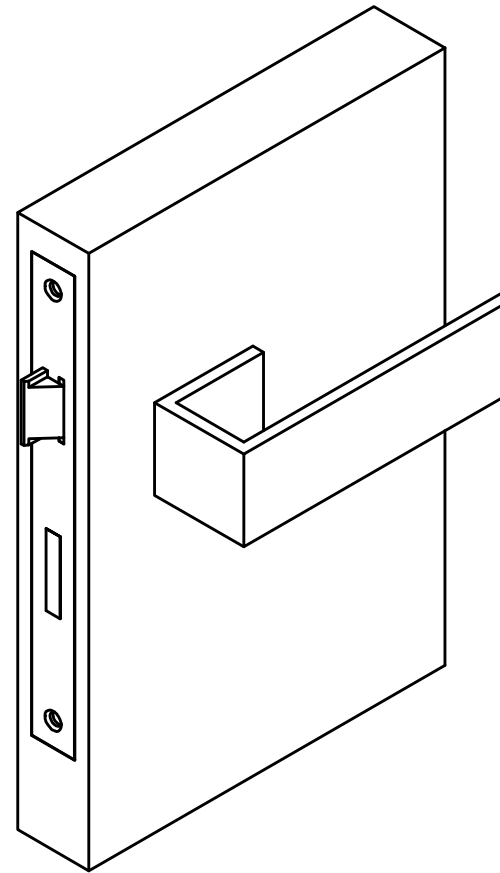
POSITION HANDLE
ON 45°



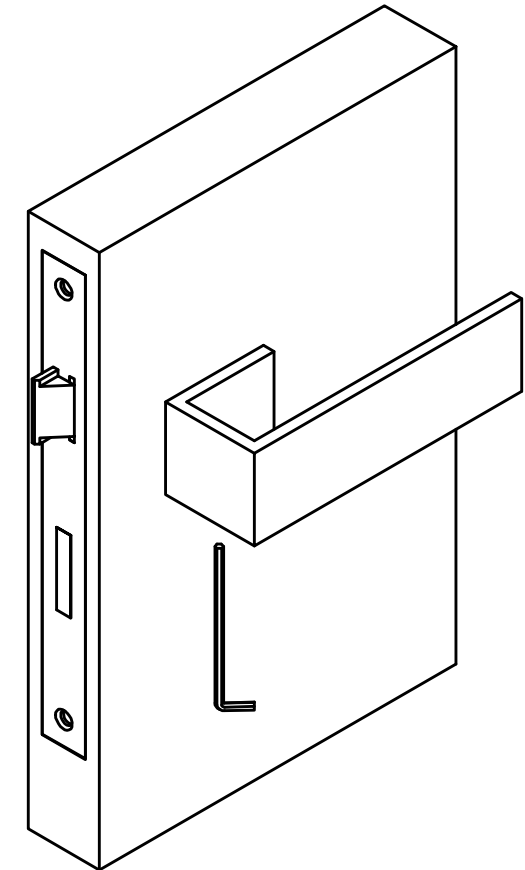
POSITION HANDLE
ON MECHANISM/BAJONET



TURN THE HANDLE
ON THE MECHANISM/BAJONET



LOCK WITH THE
GRUB SCREW



FORMANI®

Part number:

Doc no.: MI 3201D001-2-3 P03 V01 EN.dwg

Description:

Format:

Drawn by: Christian

Creation date: 30-7-2014

A3